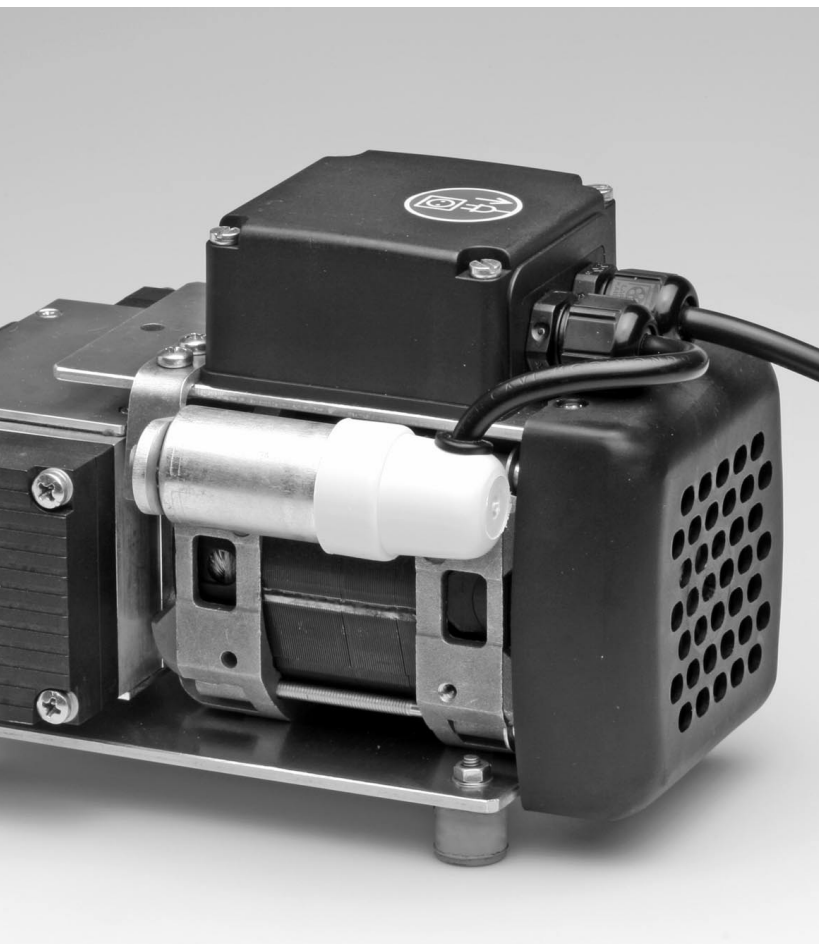


Vacuum Pump VP3 easy



Operating Instructions
Page 3

Bedienungsanleitung
Seite 13

Mode d'emploi
Page 23

Istruzioni d'uso
Pagina 33

Instrucciones de uso
Página 43

Instruções Operacionais
Página 53

ivoclar
vivadent
technical

**KONFORMITÄTSERKLÄRUNG
DECLARATION OF CONFORMITY
CERTIFICAT DE CONFORMITÉ
DICHIARAZIONE DI CONFORMITÀ
DECLARACIÓN DE CONFORMIDAD
DECLARAÇÃO DE CONFORMIDADE**

**ivoclar
vivadent**
BENDERERSTR. 2
FL-9494 LIECHTENSTEIN
TEL ++423 / 235 35 35
FAX ++423 / 235 33 60



Produkt / Product / Produit / Prodotto / Producto / Produto

VP3 easy

- DE** Hiermit erklären wir in alleiniger Verantwortung, dass das oben aufgeführte Produkt den erwähnten Normen entspricht.
Gemäss den Bestimmungen der EU-Richtlinie(n):
- GB** We herewith declare that the product listed above complies with the mentioned standards.
Following the provisions of Directive(s):
- FR** Par la présente, nous déclarons que le produit ci-dessus indiqué est conforme aux normes énoncées.
Conformément aux dispositions de la (des) Directive(s) CE:
- IT** Con la presente dichiariamo sotto la nostra responsabilità, che il prodotto sopra menzionato corrisponde alle norme citate.
Secondo le disposizioni della/e Direttiva/e CEE:
- ES** Por la presente declaramos que el producto arriba indicado cumple con las normas citadas.
Siguiendo las indicaciones de la Directiva:
- PT** Declaramos que o produto citado cumpre as normas mencionadas.
De acordo com as especificações da(s) Diretriz(es):

73/23/EWG 89/336/EWG	EN 55014 EN 61000-6-1 EN 61000-6-3	EN 61000-3-2/3 EN 61010-1
-------------------------	--	------------------------------

Schaan, 31.08.05

Siegbert Koch

Geschäftsleitung Produktion ⁽¹⁾
Ivoclar Vivadent GmbH, A-6706 Bürs
(Hersteller) ⁽³⁾

Bürs, 31.08.05

Markus Stadlmayr

Produktionsmanager ⁽²⁾
Ivoclar Vivadent GmbH, A-6706 Bürs
(Hersteller) ⁽³⁾

⁽¹⁾ Board of directors Production / Membres du Directoire Production / Direzione Produzione / Miembro consejo administración, Director de Producción / Diretoria de Produção

⁽²⁾ Manager / Directeur / Amministratore / Director / Gerente

⁽³⁾ Manufacturer / Fabricant / Produttore / Fabricante / Fabricante

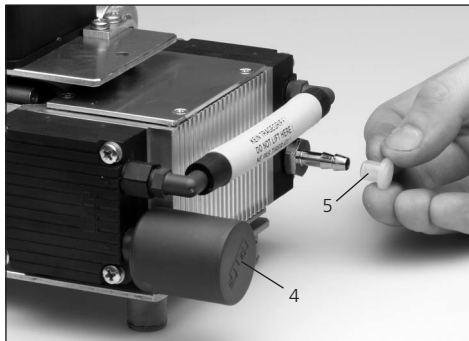
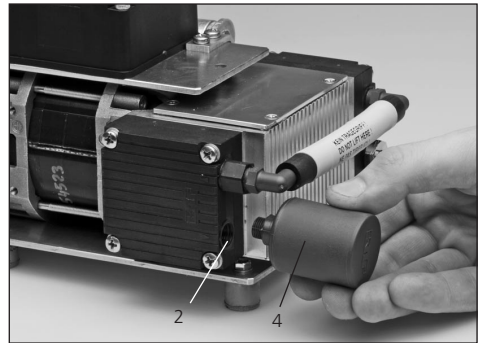
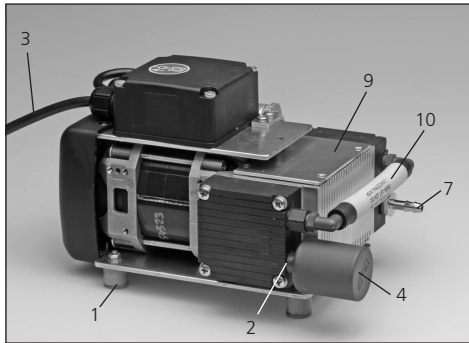
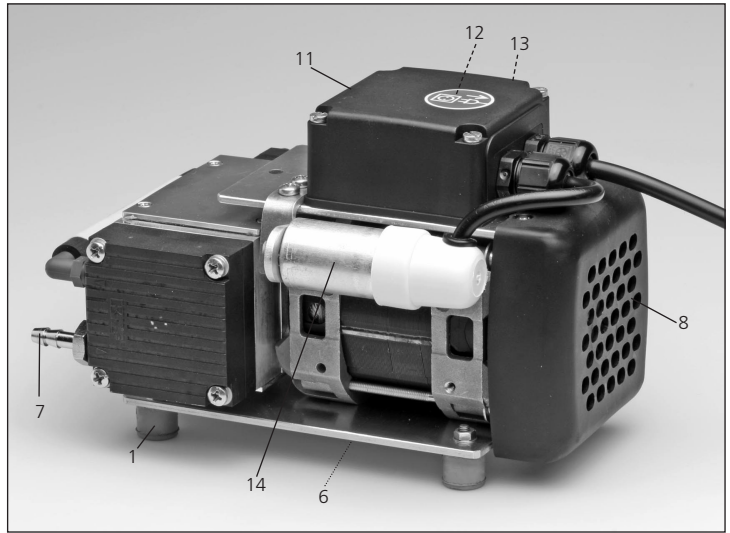
Rev. 0.0

Vaccum Pump VP3 easy

	Page
List of Parts	4
1. Introduction / Signs and Symbols	5
1.1 Preface	
1.2 Introduction	
1.3 Signs and symbols	
2. Safety First	6
2.1 Indications	
2.2 Health and safety instructions	
3. Product Description	7
3.1 Components	
3.2 Functional description	
3.3 Hazardous areas and safety equipment	
4. Installation	8
4.1 Unpacking and checking the contents	
4.2 Selecting the location	
4.3 Making the connections	
4.4 Mounting the sound absorber	
5. Start-Up	9
6. Operation	9
7. Maintenance, Cleaning, and Diagnosis	10
7.1 Monitoring and Maintenance	
7.2 Cleaning	
7.3 Notes on maintenance	
8. What If...	11
8.1 Technical malfunctions	
8.2 Repairs	
9. Product Specifications	12
9.1 Delivery from	
9.2 Technical data	
9.3 Acceptable operating conditions	
9.4 Acceptable transportation conditions	

List of Parts

- 1 Rubber feet
- 2 Sound absorber connection
- 3 Power cord
- 4 Sound absorber
- 5 Protective cap
- 6 Rating plate
- 7 Vacuum hose connection
- 8 Air vents
- 9 Housing
- 10 Connection tube
- 11 Connection cover
- 12 Fuse holder
- 13 Fuse
- 14 Condenser



1. Introduction / Signs and Symbols

1.1 Preface

Dear Customer

Thank you for having purchased the Programat® Vacuum Pump. This apparatus is a high-quality, technical product. Please read the Operating Instructions carefully and use the apparatus according to the Instructions. Should you have any further questions, please do not hesitate to contact your local distributor or Ivoclar Vivadent AG directly.

1.2 Introduction

Apparatus: VP3 easy Vacuum Pump
Target group: Dental lab personnel

This vacuum pump is suitable for evacuating the firing chamber of the Programat ceramic furnace. It is a quietly-running double-diaphragm pump with high vacuum performance.

These Operating Instructions are designed to assure the correct, safe, and economic use of the VP3 easy Vacuum Pump. They are divided into several, clearly structured chapters to help you find specific topics quickly and easily.

Signs and symbols (pictographs) are used to inform you quickly and clearly about health risks, important details, and contraindications.

We recommend keeping the Instructions in a safe place near the pump so that they are immediately accessible if necessary. Should you lose the Operating Instructions, extra copies can be ordered at a nominal fee from your local Ivoclar Vivadent Service Center.

1.3 Signs and symbols

The signs and symbols in these Operating Instructions and on the pump facilitate the finding of important points and have the following meanings:

Operating Instructions:



Risks and dangers



Information



Contraindication

Pump:



Alternating current

2. Safety First

This chapter is especially important for personnel who work with the VP3 easy Vacuum Pump or who have to carry out maintenance or repair work. This chapter must be read and the corresponding instructions followed.

2.1 Indications

This vacuum pump has been developed especially for the evacuation of Programat ceramic furnaces from Ivoclar Vivadent and it should be used for this purpose only.

Other uses than the ones stipulated are contraindicated. The manufacturer does not assume any liability for damage resulting from misuse. The user is solely responsible for any risk resulting from failure to observe these Instructions.

Further instructions to assure proper use of the pump:

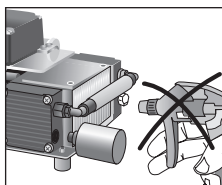
- The instructions, regulations, and notes in the vacuum pump Operating Instructions must be observed.
- The pump must be operated under the indicated environmental and operating conditions (Chapter 9).
- The VP3 easy must be properly maintained.

2.1.1



Risks and dangers

Foreign objects or liquids must not enter the air vents, since this may block the motor or result in an electrical shock.

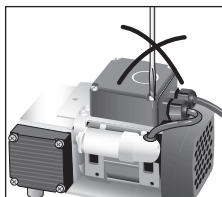


2.1.2



Risks and dangers


The connection cover must not be opened while the pump is connected to the power socket, since this may result in an electrical shock. The connection cover may only be opened by the personnel of a certified Ivoclar Vivadent Service Center.



The connection cover, which is marked with the label shown below, may only be opened once the power has been disconnected (interruption of the power supply) by qualified service personnel. Please observe the relevant rules and regulations, as well as other recognized safety and medical regulations.



2.2 Health and Safety Instructions

- Make sure that the pump is only used for the indications stipulated in these Operating Instructions.
 - Do not use the pump in areas where there is an explosion hazard.
 - Components connected with the pump must comply with the pneumatic data of the pump.
 - Observe the corresponding safety regulations when connecting the pump to the electronic network.
 - If the operation of the pump is interrupted by the thermostat because of over-heating, the pump starts automatically once it has cooled down. Make sure that no danger results from such an incidence.
 - Observe the corresponding safety instructions for the media used.
 - Use only original spare parts.
 - The pump complies with the safety regulations of the following EC guidelines:
 - 73/23 EEC (low voltage guideline)
 - 89/336/EEC (electromagnetic compatibility)
 - If the pump has been stored at very low temperatures or high atmospheric humidity, the pump has to be dried or left to adjust to the room temperature for approx. 1 hour (do not connect to the power yet).
-  Do not work with liquids near the pump. Should a liquid accidentally enter the pump, disconnect power and consult Customer Service. Do not operate the pump
- The pump is tested for use at altitudes of up to 2000 m above sea level.
 - The furnace may only be used indoors.

3. Product Description



Any disruption of the protective conductor either inside or outside the pump or any loosening of the protective conductor connection may lead to danger for the user in case of malfunction. Deliberate interruptions are not tolerated.



Do not use furnaces of other manufacturers that are not coordinated with the pump. Ask the corresponding manufacturer for further details. The vacuum pump has been especially developed for use with the Programat ceramic furnaces and must be used for this purpose only.



Disposal:

The furnace must not be disposed with the common domestic waste. Please correctly dispose old furnaces according to the European WEEE Directive (Waste Electrical and Electronic Equipment).

3.1 Components

The VP3 easy Vacuum Pump consists of the following components:

- Vacuum pump with power cord
- Vacuum hose (accessory)

3.2 Functional description

The diaphragm squeezed between the cylinder head and the housing is moved up and down by a con-rod. The vacuum is built up by means of suction and eduction valves in the cylinder head.

3.3 Hazardous areas and safety equipment

Description of the hazardous areas of the pump:

Hazardous area	Type of risk
Fuse holder	Electrical shock
Ventilator	Injury

Description of the safety features of the pump:

Safety equipment	Protective effect
Protective conductor	Protection from electrical shock
P20 (protection type)	Protection from electrical shock
Thermoswitch	Protection from overheating
Ventilator cover	Protection from electrical shock and injury

4. Installation

4.1 Unpacking and checking the contents

Remove the pump from its packaging and check it for any transportation damage. We recommend keeping the original packaging for any transportation purposes. Use only the original packaging for shipping.



Do not carry the pump by holding it by the connection hose (10), condenser (14), or sound absorber (4). Support the bottom of the pump with both hands when carrying it.

4.2 Selecting the location

Place the pump on a flat surface using the rubber feet (1). Make sure the pump is not exposed to direct sunlight. Do not place the pump in the immediate vicinity of heaters or other sources of heat. Make sure that there is enough space for air circulation between the wall and the air vents (8).

4.3 Making the connections

Checking the rating plate and power supply

Make sure that the voltage indicated on the rating plate (6) complies with the local power supply. Should this not be the case, do not connect the pump.

Connecting the vacuum hose

Remove protective cap (5) from the vacuum hose connection (7) and slip vacuum hose on the vacuum hose connection (7). Connect the other end of the vacuum hose with the furnace.

Please check if the hose is properly connected.

Connecting the power

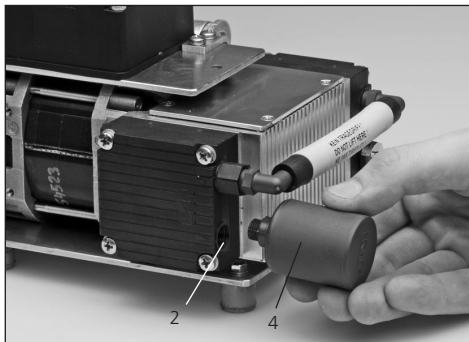
Plug power plug of the power cord (3) into the corresponding socket in the Programat. This is the power supply at the same time.



The electrical installation in the room where the pump is used must comply with the local and IEC requirements.

4.4 Mounting the sound absorber

The sound absorber must be mounted prior to setting the VP3 easy Vacuum Pump in operation. Mount the sound absorber (4) at the sound absorber connection (2) (see picture below).



The sound absorber is supplied dismounted to avoid damage during transportation.

Sound absorber for the Vacuum Pump VP3 easy

- Sound absorber **Type B** (small) 551 718



5. Start-Up

The vacuum pump is automatically controlled by the furnace, once the power cord of the pump has been connected with the Programat furnace.

6. Operation

The pump is operated by the furnace programs.

7. Maintenance and Cleaning



For safety reasons, disconnect power plug before maintenance and cleaning.

7.1 Monitoring and Maintenance

The time for maintenance procedures depends on the frequency of use and the location of the pump. For that reason the recommended times are only approximates.

What	Part	When
Check all plug-in connections for correct fit.	Connections	Weekly
Check the hose to make sure that no condensation water has accumulated in the system.	Vacuum hose	Weekly



This apparatus has been developed for typical use in the dental laboratory.

If the product is used in a production facility, for industrial applications, or in continuous operation, premature ageing of certain spare parts have to be expected.

These spare parts are e.g.:

- Sound absorber
- Diaphragm
- Valve reed

These spare parts are not covered by the warranty. Please also observe the shorter service and maintenance intervals.

7.2 Cleaning

Remove dust from the pump from time to time. Use a vacuum cleaner with a cleaning brush for that purpose.

Item	Frequency	Cleaning material
Housing	if required	soft, dry cloth
Sound absorber (4)	if it is dirty	sound absorber has to be replaced

7.3 Notes on maintenance



The diaphragm may only be changed by an Ivoclar Vivadent Service Center. The fuse must be changed by qualified personnel.

Please observe the relevant rules and regulations for the prevention of accidents as well as the safety and medical regulations. The connection cover that is marked with the label shown below may only be opened by qualified personnel after the power has been disconnected.

8. What If ...?

8.1 Technical malfunctions

Malfunction	Double-check	Action
1 The pump is not working	<ul style="list-style-type: none">– Is the pump correctly connected?– Are the fuses OK?– Has the thermostat been activated because of overheating?– Sound absorber clogged	<ul style="list-style-type: none">– Connect pump correctly.– Have the fuses changed by qualified personnel.– Allow the pump to cool and switch on again.– Check pump location for adequate circulation of air.– If the problem cannot be solved, contact your local Ivoclar Vivadent Service Center.– Replace sound absorber.
2 The vacuum performance is declining or is bad	<ul style="list-style-type: none">– Has the test program for the pump been carried out?	<ul style="list-style-type: none">– Carry out the test program for the pump (PX1).– Send vacuum pump to Service Center for maintenance.
3 Vacuum pump is unusually noisy	<ul style="list-style-type: none">– Is the sound absorber defective or incorrectly mounted?– Is there a leak in the furnace system or the pump?	<ul style="list-style-type: none">– Connect sound absorber correctly or replace it, if it is defective.– Check connections and hose for tightness.– Clean sealing of the furnace head.– Check pump performance with the corresponding test program.

8.2 Repairs



Repairs may only be carried out by the personnel of a certified Ivoclar Vivadent Service Center. Please contact your Customer Service representative.

9. Product Specifications

9.1 Delivery form

Vacuum pump
Operating Instructions
Warranty Card



This apparatus has been developed for use in dentistry. Setup and operation should be carried out strictly according to the Operating Instructions. Liability cannot be accepted for damages resulting from misuse or failure to observe the Instructions. The user is solely responsible for testing the apparatus for its suitability for any purpose not explicitly stated in the Instructions. Descriptions and data constitute no warranty of attributes.

9.2 Technical data

Power supply:	230 V / 50–60 Hz / 0.4 A 200 V / 50–60 Hz / 0.45 A 115 V / 50–60 Hz / 0.8 A
Tolerated voltage fluctuations:	+/- 10%
Power consumption:	70 W
Suction strength:	16 NL / min.
Final vacuum:	below 40 mbar
Dimensions:	210 x 140 x 130 mm (length, width, height)
Weight:	3.2 kg
Types of fuses:	230 V: 1.25 AT 250 V 200 V: 1.25 AT 250 V 115 V: 2.0 AT 250 V

Safety information :

The VP3 easy Vacuum Pump complies with the following guidelines:

- EN 61010, Part 1
- EMV tested
- Degree of pollution 2
- Excess voltage class II

9.3 Acceptable operating conditions

Ambient temperature range of:
+5 °C to +40 °C (+41 °F to +104 °F)

Acceptable height:
The pump is tested for use at altitudes of up to 2000 m above sea level. Ambient pressure of 500 mbar to 1060 mbar.

9.4 Acceptable transportation conditions

Ambient temperature range of:
-20 °C to +55 °C (-4 °F to +131 °F)

Maximum relative humidity: 80%

Vakuumpumpe VP3 easy

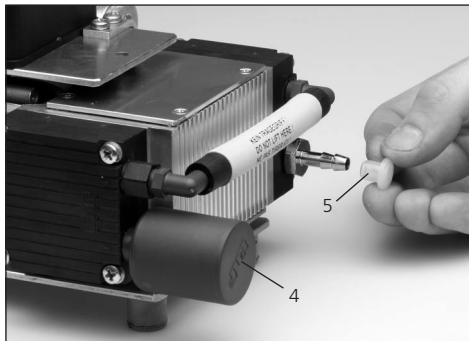
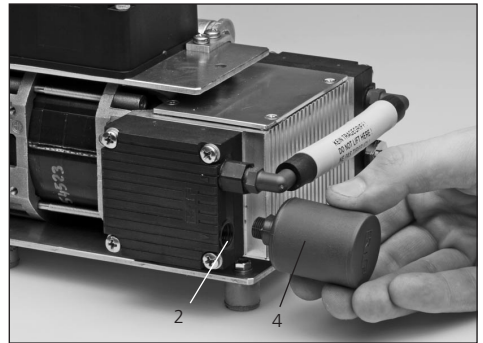
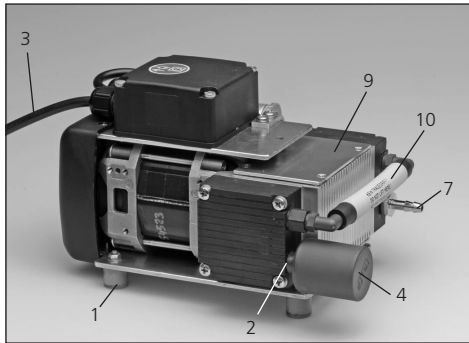
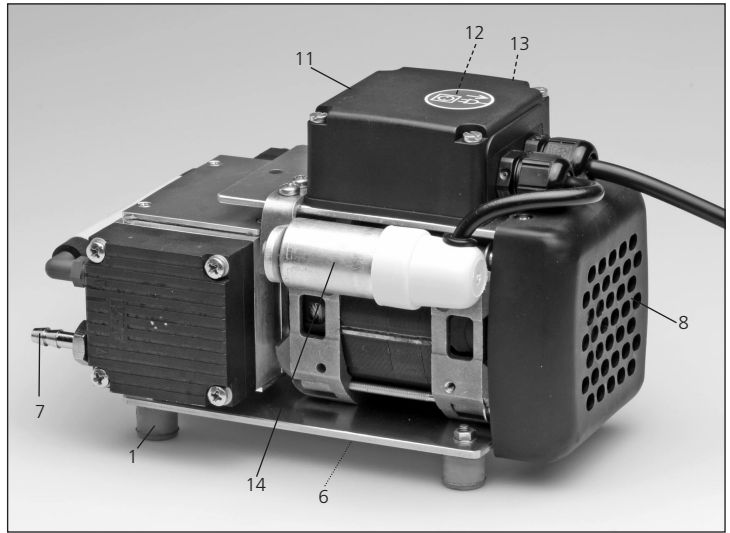
Seite

deutsch

Teilverzeichnis	14
1. Einleitung und Zeichenerklärung	15
1.1 Vorwort	
1.2 Einleitung	
1.3 Zeichenerklärung	
2. Sicherheit geht vor	16
2.1 Bestimmungsgemäße Verwendung	
2.2 Sicherheits- und Gefahrenhinweise	
3. Produktbeschreibung	17
3.1 Aufbau des Gerätes	
3.2 Funktionsbeschreibung	
3.3 Gefahrenstellen und Sicherheitseinrichtungen	
4. Installation	18
4.1 Auspacken und Lieferumfang prüfen	
4.2 Standortwahl	
4.3 Anschlüsse herstellen	
4.4 Schalldämpfer montieren	
5. Inbetriebnahme	19
6. Bedienung	19
7. Unterhalt, Reinigung und Diagnose	20
7.1 Kontroll- und Unterhaltsarbeiten	
7.2 Reinigungsarbeiten	
7.3 Wartungshinweise	
8. Was ist, wenn...	21
8.1 Technische Störungen	
8.2 Reparaturarbeiten	
9. Produktspezifikationen	22
9.1 Lieferform	
9.2 Technische Daten	
9.3 Zulässige Betriebsbedingungen	
9.4 Zulässige Transportbedingungen	

Teilverzeichnis

- 1 Gummifüße
- 2 Schalldämpfer-Anschluss
- 3 Netzkabel
- 4 Schalldämpfer
- 5 Schutzkappe
- 6 Typenschild
- 7 Vakuumschlauch-Anschluss
- 8 Lüftungsschlitze
- 9 Gehäuse
- 10 Verbindungsschlauch
- 11 Anschlussdeckel
- 12 Sicherungshalter
- 13 Sicherung
- 14 Kondensator



1. Einleitung und Zeichenerklärung

1.1 Vorwort

Sehr geehrter Kunde

Es freut uns, dass Sie sich für den Kauf der Programat Vakuumpumpe entschieden haben. Bei diesem Gerät handelt es sich um ein technisch hochstehendes Produkt. Wir bitten Sie, die Bedienungsanleitung zu lesen und das Gerät analog der Bedienungsanleitung in Betrieb zu nehmen.

Wenn Sie noch zusätzliche Fragen haben, wenden Sie sich bitte an das entsprechende Depot oder direkt an Ivoclar Vivadent.

1.2 Einleitung

Zutreffendes Gerät: Vakuumpumpe VP3 easy
Zielgruppe: Zahntechnisches Fachpersonal

Diese Vakuumpumpe eignet sich für die Evakuierung der Brennkammer beim Programat® Keramikbrennofen. Bei dieser Pumpe handelt es sich um eine Membranpumpe mit guter Vakuumleistung und kompakten Abmessungen.

Die Bedienungsanleitung (BA) dient zur sicheren, sachgerechten und wirtschaftlichen Nutzung der Vakuumpumpe VP3 easy.

Die BA ist in mehrere Kapitel unterteilt, die klar gegliedert sind. Diese Aufteilung erleichtert ein schnelles Auffinden der gewünschten Punkte.

Um Sie schnell und übersichtlich über Gefahren, wichtige Informationen und nicht zulässige Anwendungen informieren zu können, werden an den Stellen entsprechende Symbole (Piktogramme) verwendet.

Wir empfehlen Ihnen, die BA an einem geschützten Ort in der Nähe des Gerätes aufzubewahren, sodass jederzeit ein schneller Informationszugriff möglich ist. Bei einem eventuellen Verlust können Sie die BA gegen Schutzgebühr über die entsprechende Ivoclar Vivadent Servicestelle beziehen.

1.3 Zeichenerklärung

Die Symbole in der Bedienungsanleitung erleichtern Ihnen das Auffinden wichtiger Punkte und geben Ihnen folgende Hinweise:

In der Bedienungsanleitung:



Gefahren mit Risiken



Informationen



Nicht zulässige
Verwendungen

Auf dem Gerät:



Wechselstrom

2. Sicherheit geht vor

Dieses Kapitel ist für alle Personen, die mit dem Gerät arbeiten oder am Gerät Unterhalts- oder Reinigungsarbeiten durchführen, zwingend zu lesen. Die Hinweise sind zu befolgen.

2.1 Bestimmungsgemässe Verwendung

Die Vakuumpumpe wurde speziell für die Evakuierung der Programat-Brennöfen der Ivoclar Vivadent entwickelt. Bitte verwenden Sie dieses Gerät ausschliesslich für diesen Zweck.

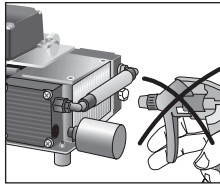
Eine andere oder darüber hinausgehende Benutzung gilt als nicht bestimmungsgemäss. Für hieraus resultierende Schäden haftet der Hersteller nicht. Das Risiko trägt allein der Anwender.

Zur bestimmungsgemässen Anwendung gehören zudem:

- Die Beachtung der Anweisungen, Vorschriften und Hinweise in der vorliegenden BA
- Der Betrieb unter den vorgeschriebenen Umwelt- und Betriebsbedingungen (siehe Kapitel 9)
- Die korrekte Instandhaltung des Gerätes

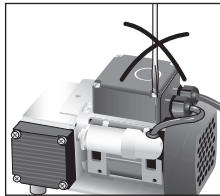
2.1.1 Gefahren und Risiken

Es dürfen keine Gegenstände oder Flüssigkeiten in die Lüftungsschlitze gelangen. Es könnte dadurch ein Blockieren des Motors oder ein Stromschlag verursacht werden.



2.1.2 Gefahren und Risiken


Der Anschlussdeckel darf wegen Stromschlaggefahr nicht geöffnet werden, wenn das Gerät unter Netzspannung steht. Den Anschlussdeckel darf nur eine qualifizierte Servicestelle öffnen.



Der Anschlussdeckel, welcher mit dem untenstehenden Hinweisschild gekennzeichnet ist, darf nur nach Ziehen des Netzsteckers (Unterbrechen der Spannungsversorgung) durch Fachpersonal geöffnet werden. Beachten Sie bitte die einschlägigen Vorschriften sowie die sonstigen anerkannten sicherheitstechnischen und arbeitsmedizinischen Regeln.



2.2 Sicherheits- und Gefahrenhinweise

- Beachten Sie, dass die Pumpe nur für den bestimmungsgemässen Gebrauch eingesetzt werden darf.
 - Die Pumpen dürfen nicht in explosionsgefährdeter Umgebung eingesetzt werden.
 - Komponenten, die man an die Pumpe anschliesst, müssen auf die pneumatischen Daten der Pumpen ausgelegt werden.
 - Beachten Sie beim Anschluss der Pumpen an das elektronische Netz die entsprechenden Sicherheitsregeln.
 - Wird der Pumpenbetrieb durch den Thermoschutzschalter wegen Überhitzung unterbrochen, so startet die Pumpe nach der Abkühlung automatisch. Sorgen Sie dafür, dass hieraus keine Gefahrensituationen entstehen können.
 - Für die zu verwendenden Medien sind die entsprechenden Sicherheitsvorschriften zu beachten.
 - Es dürfen nur Original-Ersatzteile verwendet werden.
 - Die Pumpe entspricht den Sicherheitsbestimmungen der EG-Niederspannungsrichtlinie 73/23 EWG und der EG-Richtlinie über die elektromagnetische Verträglichkeit 89/336 EWG.
 - Wurde das Gerät bei grosser Kälte oder bei hoher Luftfeuchtigkeit gelagert, ist vor der Inbetriebnahme (ohne Spannung) die Pumpe bei Raumtemperatur einer Austrocknungszeit bzw. einer Temperatur-Anpassungszeit von zirka 1 Stunde zu unterziehen.
-  Nicht mit Flüssigkeiten über dem Gerät hantieren. Sollte dennoch Flüssigkeit ins Gerät gelangen, Stecker ziehen und den Kundendienst konsultieren. Gerät nicht wieder in Betrieb setzen.
- Das Gerät ist in Höhen bis 2000 m N.N. geprüft.
 - Das Gerät darf nur in Innenräumen verwendet werden.

3. Produktbeschreibung



Jegliche Unterbrechung des Schutzleiters innerhalb oder ausserhalb des Gerätes oder Lösen des Schutzleiteranschlusses kann dazu führen, dass bei einem auftretenden Fehler das Gerät für den Betreiber eine Gefahr darstellt. Absichtliche Unterbrechung ist nicht zulässig.



Verwenden Sie keine Fremdöfen, die nicht auf das Gerät abgestimmt sind. Erkundigen Sie sich dabei beim entsprechenden Hersteller. Die Vakuumpumpe wurde speziell für die Programat-Brennöfen entwickelt und darf nur für die dafür bestimmten Zwecke verwendet werden.



Entsorgung:

Die Geräte dürfen nicht über den normalen Hausmüll entsorgt werden. Bitte ausgediente Geräte gemäss der EU-Richtlinie „EAG-VO“ fachgerecht entsorgen.

3.1 Aufbau des Gerätes

Die Vakuumpumpe VP3 easy besteht aus folgenden Komponenten:

- Vakuumpumpe mit Netzkabel
- Vakuumschlauch (Zubehör)

3.2 Funktionsbeschreibung

Die zwischen dem Zylinderkopf und dem Gehäuse eingeklemmte Membrane wird über einen Pleuel auf- und abbewegt. Durch die Ein- und Auslassventile im Zylinderkopf wird das Vakuum erzeugt.

3.3 Gefahrenstellen und Sicherheitseinrichtungen

Bezeichnung der Gefahrenstellen:

Gefahrenstelle	Art der Gefährdung
Sicherungshalter	Stromschlag
Lüfterrad	Verletzung

Bezeichnung der Sicherheitseinrichtungen am Ofen:

Sicherheitseinrichtungen	Schutzwirkung
Schutzleiter	Schutz vor Stromschlag
P20 (Schutzart)	Schutz vor Stromschlag
Thermoschutzschalter	Schützt Pumpe vor Überlastung
Abdeckung Lüfterrad	Schutz vor Stromschlag und Verletzung

4. Installation

4.1 Auspacken und Lieferumfang prüfen

Gerät aus der Verpackung nehmen und auf eventuelle Transportschäden überprüfen. Wir empfehlen, dass Sie die Originalverpackung für eventuelle Versandzwecke aufbewahren. Für den Versand verwenden Sie bitte nur die Originalverpackung.



Tragen Sie die Pumpe nicht am Verbindungsschlauch (10), am Kondensator (14) oder am Schalldämpfer (4). Tragen Sie die Vakuumpumpe mit beiden Händen am Geräte-Unterteil.

4.2 Standortwahl

Stellen Sie das Gerät mit den Gummifüßen (1) auf eine ebene Ablagefläche. Achten Sie darauf, dass das Gerät nicht einer direkten Sonnenbestrahlung ausgesetzt ist. Stellen Sie das Gerät nicht in unmittelbare Nähe von Heizkörpern oder anderen Wärmequellen. Beachten Sie, dass zwischen Wand und Lüftungsschlitzen (8) genügend Abstand für die Luftzirkulation vorhanden ist.

4.3 Anschlüsse herstellen

Typenschild mit Spannung überprüfen

Bitte prüfen Sie, ob die auf dem Typenschild (6) angegebene Spannung mit derjenigen Ihres Netzes übereinstimmt. Sollte dies nicht der Fall sein, darf das Gerät nicht angeschlossen werden.

Vakuumschlauch anschliessen

Die Schutzkappe (5) des Vakuumschlauch-Anschlusses (7) entfernen und den Vakuumschlauch auf den Vakuumschlauch-Anschluss (7) stecken. Das andere Schlauchende mit dem Ofen verbinden.

Bitte prüfen Sie, ob der Schlauch einwandfrei aufgesteckt ist.

Netzanschluss herstellen

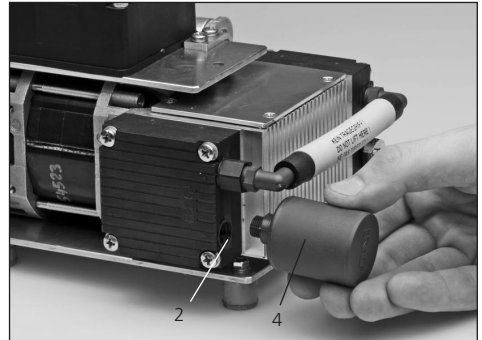
Netzstecker des Netzkabels (3) in die entsprechende Gerätesteckdose des Programats stecken. Dies ist zugleich der Netzanschluss.



Die elektrischen Installationen des Raumes, in dem sich das Gerät befindet, müssen den landesüblichen und den IEC Normen entsprechen.

4.4 Schalldämpfer montieren

Der Schalldämpfer muss vor Inbetriebnahme an die Vakuumpumpe VP3 easy montiert werden. Montieren Sie den Schalldämpfer (4) am Schalldämpfer-Anschluss (2) (siehe Abbildung).



Der Schalldämpfer (4) wird unmontiert geliefert, um Transportschäden zu verhindern.

Schalldämpfer für Vakuumpumpe VP3 easy

- Schalldämpfer **Typ B** (klein) 551 718



5. Inbetriebnahme

Die Vakuumpumpe wird automatisch über den Ofen angesteuert, wenn Sie das Netzkabel der Pumpe mit dem Programat-Ofen verbinden.

6. Bedienung

Die Bedienung erfolgt über das Ofenprogramm.

7. Unterhalt, Reinigung und Diagnose



Aus sicherheitstechnischen Gründen bei sämtlichen Wartungs- und Reinigungsarbeiten den Netzstecker aus der Gerätesteckdose ziehen.

7.1 Kontroll- und Unterhaltsarbeiten

Wann eine Wartungsarbeit durchgeführt werden soll, hängt stark von der Gebrauchsintensität und dem Standort der Pumpe ab. Aus diesem Grund stellen die empfohlenen Werte nur Richtwerte dar.

Was	Teil	Wann
Prüfen Sie, ob die Steckverbindung einwandfrei ist	Stecker	wöchentlich
Überprüfen Sie den Schlauch, damit kein Kondenswasser im Leitungssystem ist	Vakuumschlauch	wöchentlich



Dieses Gerät ist für den typischen Einsatz im Detallabor entwickelt worden.

Falls das Produkt in einem Produktionsbetrieb, einer Industrieanwendung oder im Dauerbetrieb eingesetzt wird, muss mit einer vorzeitigen Alterung bzw. Verschmutzung gerechnet werden.

Verschleissteile sind z.B.:

- Schalldämpfer
- Strukturmembrane
- Ventilplatte

Verschleissteile sind von der Garantieleistung ausgenommen. Bitte beachten Sie dazu auch die verkürzten Service- und Wartungsintervalle.

7.2 Reinigungsarbeiten

Die Pumpe gelegentlich von Staub befreien. Verwenden Sie dazu zum Beispiel einen Staubsauger mit Reinigungspinsel.

Was	Wann	Mit was
Gehäuse	nach Bedarf	mit trockenem, weichem Lappen
Schalldämpfer (4)	bei starker Verschmutzung	austauschen

7.3 Wartungshinweise



Der Membranwechsel darf nur von einer Ivoclar Vivadent-Servicestelle durchgeführt werden. Der Sicherungswechsel darf nur durch Fachpersonal erfolgen.

Beachten Sie bitte die einschlägigen Unfallverhütungs-Vorschriften sowie die sonstigen anerkannten sicherheitstechnischen und arbeitsmedizinischen Regeln. Der Anschlussdeckel, welcher mit dem untenstehenden Hinweisschild gekennzeichnet ist, darf nur nach Ziehen des Netzsteckers (Unterbrechen der Spannungsversorgung) vom qualifizierten Servicetechniker geöffnet werden.

8. Was ist, wenn ...?

8.1 Technische Störungen

Fehlerbeschreibung	Hinweise für den Anwender	Massnahme
1 Pumpe läuft nicht	<ul style="list-style-type: none">– Ist Die Pumpe richtig angeschlossen?– Sind die Sicherungen i.O.?– Hat der Theromoschalter wegen Überhitzung angesprochen?– Schalldämpfer verstopft	<ul style="list-style-type: none">– Pumpe richtig anschliessen.– Sicherungen durch Fachpersonal auswechseln lassen.– Pumpe abkühlen lassen und nochmals einschalten.– Pumpenstandort auf genügende Belüftung überprüfen.– Falls das Problem nicht gelöst werden kann, muss die zuständige Servicestelle kontaktiert werden.– Schalldämpfer austauschen.
2 Vakuumeistung verschlechtert sich oder ist schlecht	<ul style="list-style-type: none">– Wurde das Pumpen-Testprogramm durchgeführt?	<ul style="list-style-type: none">– Pumpen-Testprogramm durchführen– Vakuumpumpe zur Wartung an Servicestelle senden
3 Vakuumpumpe erzeugt ungewöhnlich hohen Lärmpegel	<ul style="list-style-type: none">– Ist der Schalldämpfer defekt oder nicht richtig montiert?– Ist im Ofensystem oder in der Pumpe ein Leck vorhanden?	<ul style="list-style-type: none">– Schalldämpfer richtig aufschrauben oder bei Defekt ersetzen.– Anschlüsse und Schlauch auf Dichtheit prüfen.– Ofenkopfdichtung reinigen.– Pumpenleistung mit dem Testprogramm überprüfen.

8.2 Reparaturarbeiten



Reparaturarbeiten dürfen nur von einer qualifizierten Ivoclar Vivadent Servicestelle durchgeführt werden. Bitte wenden Sie sich diesbezüglich an den Kundenservice.

9. Produktspezifikationen

9.1 Lieferform

Vakuumpumpe
Bedienungsanleitung
Garantieschein



Das Gerät wurde für den Einsatz im Dentalbereich entwickelt. Inbetriebnahme und Bedienung müssen gemäss Bedienungsanleitung erfolgen. Für Schäden, die sich aus anderweitiger Verwendung oder nicht sachgemässer Handhabung ergeben, übernimmt der Hersteller keine Haftung. Darüber hinaus ist der Benutzer verpflichtet, das Gerät eigenverantwortlich vor Gebrauch auf Eignung und Einsetzbarkeit für die vorgesehenen Zwecke zu prüfen, zumal wenn diese Zwecke nicht in der Bedienungsanleitung aufgeführt sind.

9.2 Technische Daten

Netzanschluss:	230 V / 50–60 Hz / 0.4 A 200 V / 50–60 Hz / 0.45 A 115 V / 50–60 Hz / 0.8 A
Zulässige Spannungsschwankungen:	+/- 10%
Leistungsaufnahme:	70 W
Saugvermögen:	16 NL / min.
Endvakuum:	unter 40 mbar
Masse:	210 x 140 x 130 mm (Länge, Breite, Höhe)
Gewicht:	3,2 kg
Sicherungstyp:	230 V: 1,25 AT 250 V 200 V: 1,25 AT 250 V 115 V: 2,0 AT 250 V

Sicherheitshinweise:

Die Vakuumpumpe VP3 easy ist nach folgenden Richtlinien gebaut:

- EN 61010, Teil 1
- EMV geprüft
- Verschmutzungsgrad 2
- Überspannungskategorie II

9.3 Zulässige Betriebsbedingungen

Umgebungstemperatur im Betrieb:
+5 °C bis +40 °C (+41 °F bis +104 °F)

Zulässige Höhe:
Das Gerät ist für Höhen bis 2000 m geprüft.
Atmosphärischer Druck von 500 mbar bis 1060 mbar.

9.4 Zulässige Transportbedingungen

Umgebungstemperaturbereich:
-20 °C bis +55 °C (-4 °F bis +131 °F)

Maximale relative Feuchte: 80%

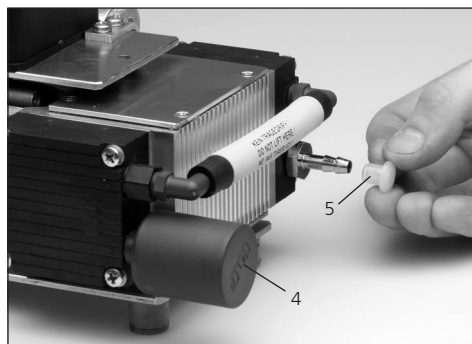
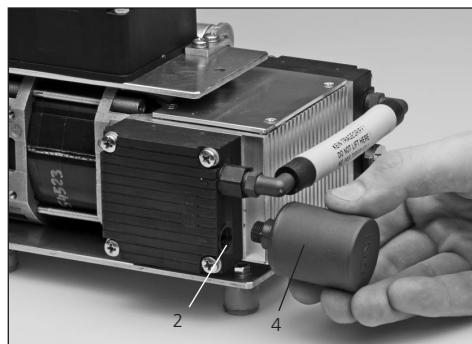
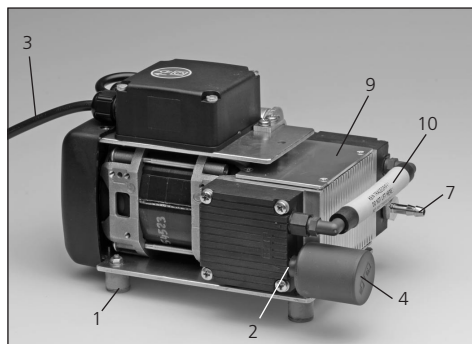
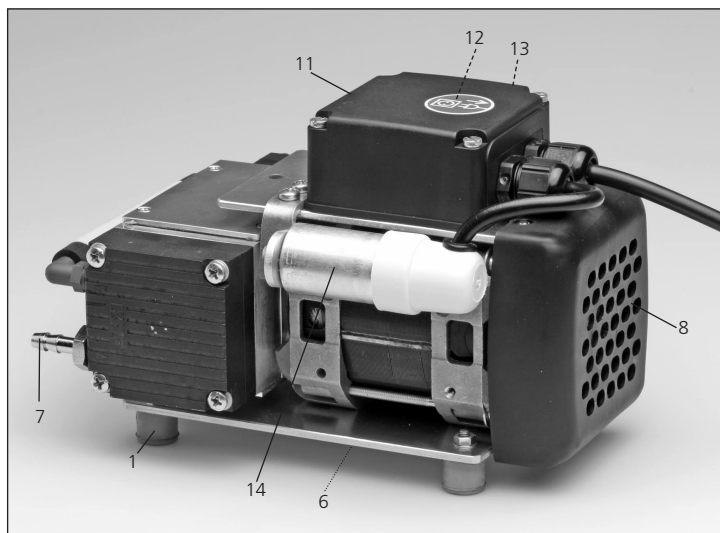
Pompe à vide VP3 easy

Page

Désignation des pièces	24
1. Introduction et explication des symboles	25
1.1 Préambule	
1.2 Introduction	
1.3 Explication des symboles	
2. La sécurité avant tout	26
2.1 Utilisation appropriée	
2.2 Consignes en matière de sécurité et de risque	
3. Désignation du produit	27
3.1 Conception de l'appareil	
3.2 Description du fonctionnement	
3.3 Zones de danger et dispositifs de sécurité	
4. Installation	28
4.1 Déballage et contrôle de la livraison	
4.2 Choix de l'emplacement	
4.3 Branchement	
4.4 Montage du silencieux	
5. Mise en service	29
6. Utilisation	29
7. Entretien, Nettoyage et Diagnostics	30
7.1 Travaux de contrôle et d'entretien	
7.2 Travaux de nettoyage	
7.3 Notices d'entretien	
8. Que faire si...	31
8.1 Défaillance technique	
8.2 Travaux de réparation	
9. Spécifications du produit	32
9.1 Présentation	
9.2 Fiche technique	
9.3 Conditions d'utilisation admises	
9.4 Conditions de transport	

Désignation des pièces

- 1 Pieds en caoutchouc
- 2 Raccord du silencieux
- 3 Câble secteur
- 4 Silencieux
- 5 Protecteur
- 6 Plaque d'identification
- 7 Raccord du tuyau de pompe
- 8 Events d'aération
- 9 Carter
- 10 Tuyau de raccordement
- 11 Couvercle du branchement
- 12 Porte-fusibles
- 13 Fusibles
- 14 Condensateur



1. Introduction et explication des symboles

1.1 Préambule

Cher Client

Nous sommes très heureux que vous ayez choisi une pompe à vide Programat®. Il s'agit ici d'un appareil d'une grande qualité technique. Aussi, nous vous demandons de bien lire le mode d'emploi et d'utiliser l'appareil correctement.

Si vous avez d'autres questions, n'hésitez pas à contacter votre Dépôt ou directement Ivoclar Vivadent AG.

1.2 Introduction

Appareil concerné : Pompe à vide VP3 easy
Groupe d'utilisateurs : Personnel qualifié en prothèse dentaire

Cette pompe à vide est adaptée à l'évacuation de l'air de la chambre de cuisson pour les fours à céramique Programat.

Il s'agit ici d'une pompe à membrane ayant une capacité de vide et un fonctionnement silencieux élevés.

Le mode d'emploi (ME) permet un usage sûr, fonctionnel et économique de la pompe VP3 easy. Le ME est divisé en plusieurs chapitres répartis clairement ce qui permet de retrouver rapidement les sujets souhaités.

Pour pouvoir vous informer rapidement et distinctement sur les dangers, les informations importantes et les utilisations non autorisées, les symboles (pictogrammes) correspondants seront indiqués à l'endroit voulu.

Nous vous recommandons de garder le ME dans un endroit protégé à proximité de l'appareil afin de pouvoir y accéder rapidement. Si vous le perdez, vous pouvez obtenir un autre ME auprès du Service Technique d'Ivoclar Vivadent contre participation financière.

1.3 Explication des symboles

Les symboles contenus dans ce mode d'emploi vous facilitent la recherche des points importants et vous donnent les informations suivantes:

Dans le Mode d'emploi :



Risques de danger



Informations



Utilisation non autorisée

Sur l' Appareil :



Courant alternatif

2. La sécurité avant tout

Ce chapitre est à lire obligatoirement par toutes les personnes qui travaillent avec l'appareil ou qui effectuent des travaux d'entretien ou de réparation. Les indications sont à suivre.

2.1 Utilisation appropriée

La pompe à vide a été spécialement conçue pour l'évacuation de l'air des fours de cuisson Programat d'Ivoclair Vivadent. Veuillez utiliser cet appareil uniquement pour cet effet.

Une autre utilisation ou allant au-delà de cette indication est considérée comme inappropriée. Le fabricant n'est pas responsable des dommages résultant d'une telle utilisation. Le risque est supporté uniquement par l'utilisateur.

Une utilisation appropriée comprend en outre :

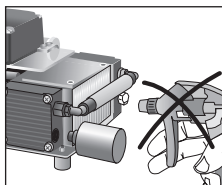
- le respect des informations, des prescriptions et informations contenues dans le présent ME
- l'utilisation suivant les conditions décrites d'environnement et de fonctionnement (voir chapitre 9)
- l'entretien correct de l'appareil

2.1.1



Risques de danger

Aucun objet ou liquide ne doit parvenir dans les événements d'aération. Cela pourrait bloquer le moteur ou occasionner une décharge électrique.

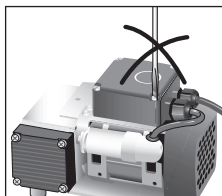


2.1.2



Risques de danger


Le couvercle du branchement ne doit pas être ouvert quand l'appareil est sous tension. Seul un personnel qualifié est autorisé à l'ouvrir.



Le couvercle de branchement muni du symbole ci-dessous ne doit être ouvert qu'après avoir retiré la fiche de branchement (interruption d'alimentation en courant électrique) par du personnel qualifié. Respecter les prescriptions de prévention des accidents ainsi que les autres règles techniques de sécurité et de médecine du travail.



2.2 Consignes en matière de sécurité et de risque

- veillez à ce que la pompe soit utilisée uniquement d'après les prescriptions
 - la pompe ne doit pas être installée dans un endroit où il y a un risque d'explosion
 - les éléments sur lesquels la pompe est branchée doivent correspondre aux données pneumatiques de celle-ci
 - respecter les règles de sécurité correspondantes lors du branchement de la pompe au réseau électrique
 - si le fonctionnement de la pompe est interrompu à la suite du déclenchement du disjoncteur thermique à cause d'une surchauffe, la pompe se réactive automatiquement après refroidissement. Veillez à ce que ce mode de fonctionnement n'entraîne pas de situation de danger.
 - les prescriptions de sécurité sont à respecter selon les médiums utilisés.
 - utiliser uniquement des pièces de rechange d'origine
 - la pompe est conforme aux dispositifs de sécurité des directives de basse tension 73/23 CE et des directives de compatibilité électromagnétique 89/336 CE.
 - si l'appareil a été stocké par grand froid ou humidité élevée, avant son utilisation, il faudra le laisser sécher ou le laisser à température ambiante pendant 1 heure environ (hors tension)
-  Ne pas manipuler de liquide au-dessus de l'appareil. Si toutefois, du liquide parvenait à s'introduire dans celui-ci, débrancher l'appareil du secteur et consulter le service après-vente. Ne plus mettre l'appareil en marche.
- l'appareil est contrôlé jusqu'à 2000 m au-dessus du niveau de la mer.
 - l'appareil ne doit être utilisé que dans un endroit fermé

3. Désignation du produit



Toute interruption du fil de protection terre à l'intérieur ou à l'extérieur de l'appareil ou le détachement du fil de protection terre peut représenter un danger pour l'utilisateur en cas de panne. Une interruption volontaire n'est pas admise.



Ne pas utiliser d'autres fours qui ne sont pas adaptés à la pompe. Renseignez-vous auprès du fabricant. La pompe à vide a été conçue spécialement pour les fours de cuisson Programat et doit uniquement être utilisée pour les usages prévus à cet effet.



Traitement des déchets :

L'appareil ne peut être jeté aux ordures ménagères habituelles. L'appareil usagé doit être recyclé professionnellement selon la directive CE "EAG-VO".

3.1 Conception de l'appareil

La pompe à vide VP3 easy est composée de:

- pompe à vide avec câble secteur
- tuyau (accessoire)

3.2 Description du fonctionnement

La membrane située entre la tête du cylindre et le carter est activée de haut en bas par une bielle. Le vide se crée grâce aux valves d'entrée et de sortie placées dans la tête du cylindre.

3.3 Zones de danger et dispositifs de sécurité

Désignation des endroits dangereux :

Endroits dangereux	Types de danger
Porte-fusibles	Décharge électrique
Aération	Blessure

Désignation des dispositifs de sécurité :

Dispositifs de sécurité	Type de protection
Fil de protection terre	Protection contre la décharge électrique
P20 (type de protection)	Protection contre la décharge électrique
Disjoncteur thermique	Protège la pompe de surcharge
Protecteur Aération	Protection contre la décharge électrique

4. Installation

4.1 Déballage et contrôle de la livraison

Sortir l'appareil de son emballage et contrôler son bon état. Nous vous conseillons de conserver l'emballage d'origine et de l'utiliser pour tout envoi éventuel.



Ne pas porter la pompe par le tuyau de raccordement (10), par le condensateur (14) ou par le silencieux (4). Porter la pompe à vide en prenant la partie inférieure avec les deux mains.

4.2 Choix de l'emplacement

Positionner les pieds en caoutchouc (1) de l'appareil sur une surface plate. Veiller à ce que celui-ci ne soit pas exposé directement aux rayons solaires. Ne pas installer l'appareil à proximité de radiateurs ou de toute autre source de chaleur. Laisser suffisamment d'espace entre le mur et les événements d'aération pour assurer une circulation d'air.

4.3 Branchement

Contrôle du voltage indiqué sur la plaque signalétique
Vérifier que la tension indiquée sur la plaque signalétique (6) corresponde bien à celle du secteur. Le cas échéant, ne pas brancher l'appareil.

Branchement du vide

Retirer les protecteurs (5) du raccord du tuyau de la pompe (7) et pousser le tuyau de la pompe sur le raccord de celui-ci. Relier le four avec l'autre extrémité du tuyau.

Contrôler si le tuyau est enfoncé correctement.

Branchement de la pompe

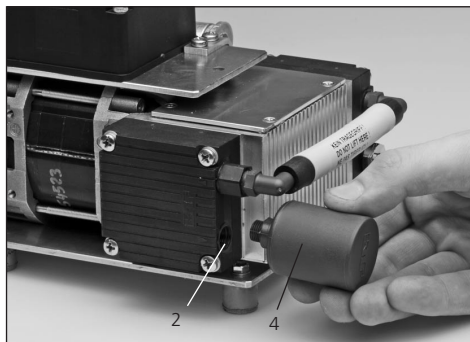
Introduire la fiche de branchement du câble secteur (3) dans la prise de courant correspondante du Programat. Ceci est en même temps l'alimentation de la pompe.



Les installations électriques de la pièce où se trouve l'appareil doivent être conformes aux normes en vigueur du pays et aux normes IEC.

4.4 Montage du silencieux

Le silencieux doit être monté sur la pompe à vide VP3 EASY avant sa mise en service. Monter le silencieux (4) sur le raccord-silencieux (2) (voir schéma).



Le silencieux (4) n'est pas monté à la livraison, ceci pour éviter des avaries de Transport.

Silencieux pour la pompe à vide VP3 easy

- Silencieux **Type B** (petit) 551 718



5. Mise en service

La pompe à vide est activée automatiquement par le four si vous reliez le câble secteur de la pompe avec le four.

6. Utilisation

L'utilisation s'effectue par le programme du four.

7. Entretien, nettoyage et diagnostics



Pour des raisons techniques de sécurité, il est obligatoire de retirer la fiche de branchement de la prise de courant de l'appareil pour tous les travaux de maintenance et d'entretien.

7.1 Travaux de contrôle et d'entretien

La périodicité des travaux d'entretien dépend de l'intensité d'utilisation et de l'emplacement de la pompe. De ce fait, les valeurs indiquées sont données à titre indicatif.

Quoi	Partie	Quand
Vérifier si le branchement secteur est en bon état	Fiche de l'appareil	hebdomadaire
Vérifier le tuyau afin qu'il n'y ait pas d'eau de condensation dans le circuit	Tuyau de pompe	hebdomadaire



Cet appareil est destiné au laboratoire dentaire.

Une usure prématurée des pièces est constatée dans le cas où l'appareil est utilisé dans une unité de production ou pour une application industrielle.

Pièces d'usure par ex. :

- silencieux
- membranes
- soupape

Ces pièces ne sont pas prises en compte par la garantie. Veuillez effectuer régulièrement les opérations de maintenance de l'appareil.

7.2 Travaux de nettoyage

Dépoussiérer de temps en temps la pompe en utilisant par ex. un aspirateur avec un pinceau de nettoyage.

Quoi	Quand	Moyens
Carter	si nécessaire	chiffon sec et doux
Silencieux (4)	souillure importante	remplacer

7.3 Notice d'entretien



Le changement de la membrane ne peut être effectué que par le Service technique d'Ivoclar Vivadent. Le remplacement des fusibles ne peut être fait que par du personnel qualifié.

Respecter les prescriptions de prévention des accidents ainsi que les autres règles techniques de sécurité et de médecine du travail. Le couvercle de branchement muni du symbole ci-dessous ne doit être ouvert qu'après avoir retiré la fiche de branchement (interruption d'alimentation en courant électrique) par du personnel qualifié.

8. Que faire si ...?

8.1 Défaillance technique

Description des erreurs	Indication pour l'utilisateur	Mesures
1 La pompe ne fonctionne pas	<ul style="list-style-type: none">– Est-ce que la pompe est bien branchée?– Est-ce que les fusibles sont en bon état?– Le disjoncteur thermique de surchauffe s'est-il déclenché?– Le silencieux est obstrué	<ul style="list-style-type: none">– Bien brancher la pompe.– Faire remplacer les fusibles par du personnel qualifié.– Laisser refroidir la pompe et allumer à nouveau.– Contrôler que l'endroit où est installée la pompe soit suffisamment aéré.– Si le problème ne peut être résolu, contacter le Service technique responsable.– Remplacer le silencieux.
2 La capacité du vide est altérée ou est de mauvaise qualité	<ul style="list-style-type: none">– Est-ce que le programme-test de la pompe a été effectué?	<ul style="list-style-type: none">– Effectuer le programme-test de la pompe (PX1).– Envoyer la pompe au Service Technique pour maintenance
3 Le niveau sonore de la pompe est trop élevé	<ul style="list-style-type: none">– Est-ce que le silencieux n'est-il pas défectueux et est-il monté correctement?– Y a-t-il une fuite dans le système du four ou dans la pompe?	<ul style="list-style-type: none">– Visser correctement le silencieux ou le remplacer s'il est défectueux.– Contrôler l'étanchéité des raccords et du tuyau.– Nettoyer le joint du couvercle du four.– Contrôler la capacité de la pompe en effectuant le programme-test du four PX1.

8.2 Travaux de réparation



Les travaux de réparation ne doivent être réalisés que par un Service technique qualifié d'Ivoclar Vivadent. Veuillez vous adresser au Service après-vente.

9. Spécifications du produit

9.1 Présentation

pompe à vide
mode d'emploi
bon de garantie



Cet appareil est destiné à un usage dans le domaine dentaire. La mise en service et l'utilisation doivent s'effectuer conformément au mode d'emploi. L'utilisation de l'appareil pour un autre usage que celui mentionné dans la documentation et le mode d'emploi est à proscrire. Les dommages résultant du non-respect de ces prescriptions ou d'une utilisation à d'autres fins que celles indiquées n'engagent pas la responsabilité du fabricant. L'utilisateur est tenu de vérifier sous sa propre responsabilité l'appropriation de l'appareil à l'utilisation prévue et ce d'autant plus si celle-ci n'est pas citée dans le mode d'emploi.

9.2 Fiche technique

Branchement au secteur: 230 V / 50–60 Hz / 0.4 A
200 V / 50–60 Hz / 0.45 A
115 V / 50–60 Hz / 0.8 A

Variations de tension admise: $\pm 10\%$

Puissance absorbée: 70 W

Capacité d'aspiration: 16 NL / min

Vide final: inférieur à 40 mbar

Encombrement: 210 x 140 x 130 mm
(Longueur, largeur, hauteur)

Poids: 3,2 kg

Fusibles: 230 V = 1,25 AT 250 V
200 V = 1,25 AT 250 V
115 V = 2,0 AT 250 V

Recommandation de sécurité:

La pompe à vide VP3 easy est construite selon les directives suivantes:

- EN 61010, Partie 1
- Contrôle CEM
- Indice de pollution 2
- Indice de protection II

9.3 Conditions d'utilisation admises

Température ambiante:
+ 5 °C bis + 40 °C (+ 41 °F bis 104 °F)

Hauteur admise:
L'appareil a été testé à une altitude jusqu'à 2000 m
et à une pression atmosphérique de 500 à 1060 mbar.

9.4 Conditions de transport et de stockage

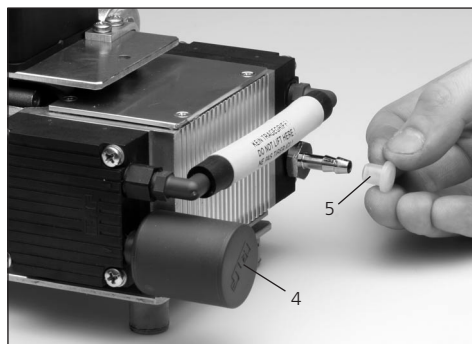
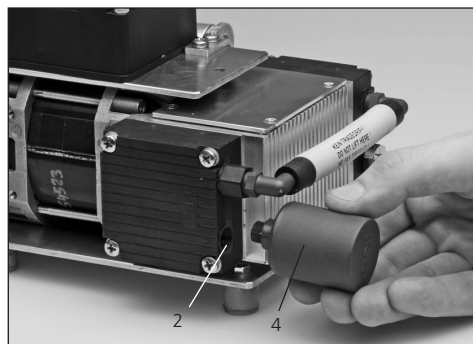
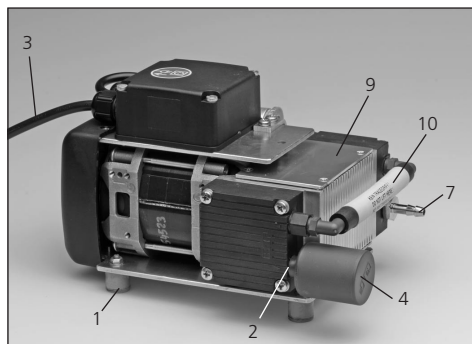
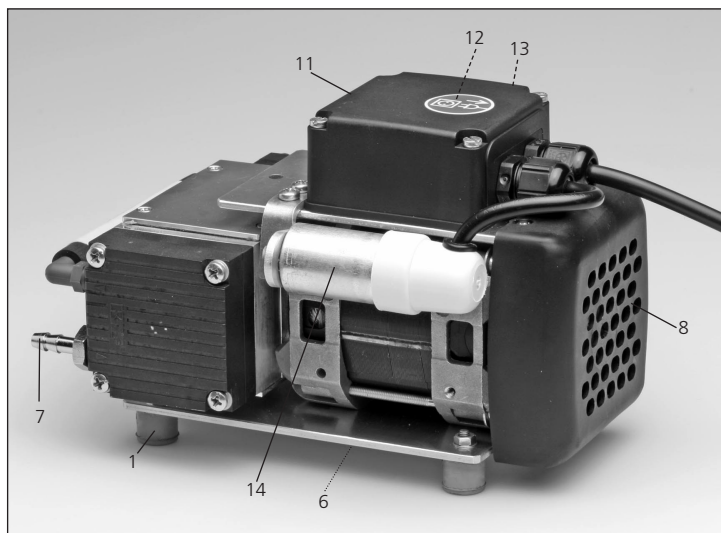
Température ambiante de -20°C à +55°C (-4 °F à 131 °F)
Humidité relative de l'air max. 80%

Pompa per il vuoto VP3 easy

	Pag.
Panoramica generale	34
1. Introduzione e descrizione dei simboli	35
1.1 Premessa	
1.2 Introduzione	
1.3 Descrizione dei simboli	
2. La sicurezza innanzitutto	36
2.1 Utilizzo secondo le prescrizioni	
2.2 Avvertenze di sicurezza e di pericolo	
3. Descrizione prodotto	37
3.1 Costruzione dell'apparecchio	
3.2 Descrizione delle funzioni	
3.3 Indicazioni di pericolo e protezioni	
4. Installazione	38
4.1 Disimballaggio e controllo del contenuto	
4.2 Scelta del luogo d'installazione	
4.3 Montaggio ed allacciamenti	
4.4 Montaggio del silenziatore	
5. Messa in funzione	39
6. Utilizzo pratico	39
7. Manutenzione, pulizia e diagnosi	40
7.1 Lavori di manutenzione e di controllo	
7.2 Pulizia dell'apparecchio	
7.3 Avvertenze di manutenzione	
8. Cosa succede, se...	41
8.1 Disturbi tecnici	
8.2 Riparazioni	
9. Specifiche del prodotto	42
9.1 Presentazione	
9.2 Dati tecnici	
9.3 Condizioni ammesse per il funzionamento	
9.4 Condizioni ammesse per il trasporto	

Elenco particolari

- 1 piedini in gomma
- 2 collegamento per silenziatore
- 3 cavo di allacciamento
- 4 silenziatore
- 5 cappuccio di protezione
- 6 targhetta
- 7 allacciamento tubo vuoto
- 8 fessure di areazione
- 9 carcassa
- 10 tubo di collegamento
- 11 coperchio di collegamento
- 12 portafusibile
- 13 fusibile
- 14 condensatore



1. Introduzione e descrizione dei simboli

1.1 Premessa

Egregio Cliente

Siamo lieti che abbia acquistato una pompa per il vuoto Programat®. Questo apparecchio è un prodotto di elevata tecnologia. La preghiamo di leggere le istruzioni d'uso e di impiegare l'apparecchio secondo quanto riportato in esse. Nel caso abbia ulteriori domande in merito, la preghiamo di rivolgersi al Suo concessionario di fiducia o direttamente alla Ivoclar Vivadent.

1.2 Introduzione

Apparecchio: Pompa per il vuoto VP3 easy
L'apparecchio è destinato ad un uso professionale da parte di personale odontotecnico qualificato.

La presente pompa per il vuoto è indicata per l'evacuazione della camera di cottura dei forni per cottura di ceramica Programat®. Si tratta di una pompa a membrana di elevata capacità.

Le istruzioni d'uso servono ad un impiego sicuro, corretto ed economico della pompa VP3 easy. Le istruzioni d'uso sono suddivise in diversi capitoli. In questo modo è possibile una ricerca veloce dei diversi temi contenuti.

Per poter informare in modo veloce e chiaro sui pericoli, informazioni importanti ed impieghi non ammessi, vengono utilizzati i relativi simboli (pittogrammi).

Le consigliamo di conservare le istruzioni d'uso in luogo protetto nelle vicinanze del forno, in modo da averle sempre a portata di mano per ogni consultazione. In caso di smarrimento delle istruzioni d'uso, potrà rivolgersi alla Ivoclar Vivadent per richiederne una copia.

1.3 Descrizione dei simboli

I simboli riportati nelle istruzioni d'uso e sull'apparecchio facilitano la ricerca di punti importanti ed hanno il seguente significato:

Nelle istruzioni d'uso:



Pericoli con rischi



Informazioni



Impieghi non ammessi

Sull'apparecchio:



Corrente alternata

2. La sicurezza innanzitutto

Questo capitolo deve essere letto da tutte le persone che lavorano con l'apparecchio o che eseguono lavori di manutenzione o pulizia. È assolutamente necessario attenersi alle indicazioni ed avvertenze!

2.1 Utilizzo secondo le prescrizioni

La pompa per il vuoto VP3 easy è stata espressamente sviluppata per l'evacuazione dei forni per cottura di ceramica Programat della Ivoclar Vivadent. Si prega di utilizzare questo apparecchio soltanto per questo scopo.

Un impiego diverso, corrisponde ad un uso non conforme. Per i danni che ne derivano il produttore non è responsabile. Il rischio è ad esclusivo carico dell'utilizzatore.

Per un uso corretto sono necessari inoltre:

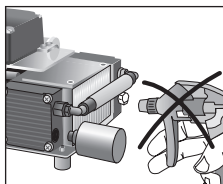
- L'osservanza delle avvertenze, indicazioni e prescrizioni della presente istruzione d'uso.
- L'impiego in osservanza delle normative ambientali e di utilizzo (vedi capitolo 9).
- La corretta manutenzione dell'apparecchio.

2.1.1



Pericoli e rischi

Non devono penetrare corpi estranei o liquidi nelle aperture di areazione. In tal caso si potrebbe causare un blocco del motore o una scarica di corrente.

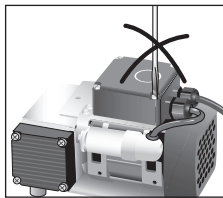


2.1.2



Pericoli e rischi

Per pericolo di scariche elettriche, non aprire il coperchio di collegamento quando l'apparecchio è allacciato alla corrente. Il coperchio di collegamento può essere aperto soltanto dal servizio di assistenza qualificato.



Il coperchio di collegamento, contrassegnato dall'etichetta di avvertenza riportata qui sotto, può essere aperto soltanto dopo che la presa è stata staccata dalla corrente (interruzione dell'alimentazione di corrente) e soltanto da personale qualificato. Si prega di attenersi alle prescrizioni nonché a tutte le riconosciute regole tecniche di sicurezza e di medicina del lavoro.



2.2 Avvertenze di sicurezza e di pericolo

- Consideri che l'apparecchio può essere impiegato soltanto per l'uso previsto.
- La pompa non deve essere impiegata in ambiente esposto a pericolo di esplosioni.
- Componenti che si collegano alla pompa devono corrispondere ai dati pneumatici della pompa.
- Nell'allacciamento della pompa alla rete elettrica, osservare le relative regole di sicurezza.
- Se il funzionamento della pompa viene interrotto dall'interruttore di sicurezza termica a causa di sovrarisaldamento, dopo il raffreddamento la pompa si riavvia automaticamente. Provvedere affinché in questi casi non nascano situazioni di pericolo.
- Per i mezzi da utilizzare, attenersi alle rispettive prescrizioni di sicurezza.
- Possono essere utilizzati soltanto ricambi originali.
- La pompa corrisponde alle norme di sicurezza della Direttiva CE bassa tensione 73/23 CEE ed alla Direttiva CE riguardante la compatibilità elettromagnetica 89/336 CEE.
- Se l'apparecchio è stato conservato in luogo molto freddo o con un'elevata umidità dell'aria, prima dell'utilizzo, è necessario sottoporre l'apparecchio aperto (senza tensione) ad un tempo di asciugatura di ca. 1 ora a temperatura ambiente.



Attenzione: non manipolare liquidi sull'apparecchio; in caso di versamento accidentale di liquidi nell'apparecchio, togliere la spina dalla presa di corrente e consultare il servizio assistenza. Non mettere in funzione l'apparecchio.

- L'apparecchio è stato testato per altitudini fino a 2000 m s.l.m.
- L'apparecchio può essere utilizzato soltanto in locali interni.

3. Descrizione prodotto



Qualsiasi interruzione del conduttore di protezione all'interno o all'esterno dell'apparecchio, oppure il distacco dell'allacciamento del conduttore di protezione può rappresentare un pericolo per l'utilizzatore in caso di riscontro di difetto. Non è ammessa l'interruzione volontaria.



Non utilizzare forni di altra fabbricazione, non calibrati con il presente apparecchio. Si informi presso il relativo produttore. La pompa per il vuoto è stata sviluppata espressamente per i forni Programat e può essere impiegata soltanto per gli usi previsti.



Smaltimento:

L'apparecchio non deve essere smaltito con i normali rifiuti urbani. L'apparecchio non più utilizzabile deve essere smaltito correttamente secondo la Direttiva UE "EAG-VO".

3.1 Costruzione dell'apparecchio

La pompa per il vuoto VP3 easy si compone come segue:
Pompa per il vuoto con cavo di allacciamento corrente

3.2 Descrizione della funzione

La membrana situata fra testa del cilindro e carcassa viene mossa in alto ed in basso da una biella. Attraverso le valvole di entrata e uscita nella testa del cilindro viene creato il vuoto.

3.3 Indicazioni di pericolo e protezioni

Descrizione dei punti di pericolo:

Punto di pericolo	Tipo di pericolo
Portafusibile	Scarica di corrente
Areazione	Ferita

Descrizione delle protezioni di sicurezza:

Protezione di sicurezza	Effetto protettivo
Conduttore di protezione	Protezione da scarica di corrente
P20 (tipo di protezione)	Protezione da scarica di corrente
Interruttore di protezione termica	Protegge la pompa da sovraccarico
Cappuccio di areazione	Protezione da scarica di corrente

4. Installazione

4.1 Disimballaggio e controllo del contenuto

Prelevare l'apparecchio dall'imballaggio e controllare l'eventuale presenza di danni dovuti al trasporto. Si consiglia di conservare l'imballaggio originale per eventuali successivi trasporti. Per trasporti si prega di utilizzare l'imballaggio originale.



Non sorreggere la pompa per mezzo del tubo di collegamento (10), del condensatore (14), o con il silenziatore (4).

Sorreggere la pompa per il vuoto con entrambe le mani alla base dell'apparecchio. Prestare attenzione affinché tra la parete e le fessure vi sia sufficiente spazio per la circolazione d'aria.

4.2 Scelta del luogo di installazione

Posizionare l'apparecchio con i piedini in gomma (1) su una superficie piana. Fare attenzione a non posizionare l'apparecchio in luogo esposto ai raggi diretti del sole o nelle dirette vicinanze di caloriferi o altre fonti di calore.

4.3 Allacciamenti

Controllare la targhetta con i dati della tensione.

Controllare che la tensione riportata sulla targhetta (6) corrisponda a quella della sua rete. Nel caso in cui non corrisponda, l'apparecchio non deve essere collegato.

Allacciamento tubo per il vuoto

Togliere il cappuccio di protezione (5) dell'allacciamento del tubo del vuoto (7) ed inserire il tubo del vuoto sull'allacciamento (7). Collegare l'altra parte del tubo al forno.

Controllare che il tubo sia collegato correttamente.

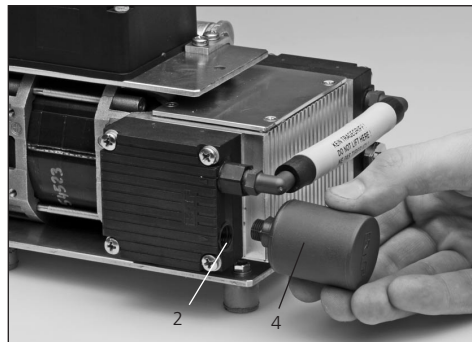
Inserire la spina del cavo di allacciamento (3) nella relativa presa del Programat. Questo è contemporaneamente anche il collegamento alla rete.



L'installazione elettrica del locale nel quale si trova l'apparecchio deve corrispondere alle norme locali vigenti ed alle norme IEC.

4.4 Montaggio del silenziatore

Prima della messa in funzione, sulla pompa VP3 easy deve essere montato il silenziatore. Montare il silenziatore (4) sul all'apposto collegamento (2), vedi figura.



Per evitare danni durante il trasporto, il silenziatore (4) viene fornito non montato.

Silenziatore per pompa per il vuoto VP3 easy

– Silenziatore **Tipo B** (piccolo) 551 718



5. Messa in funzione

La pompa per il vuoto viene messa in funzione automaticamente attraverso il forno, dopo aver collegato il cavo della pompa con il forno.

6. Utilizzo pratico

L'utilizzo avviene attraverso i programmi del forno.

7. Manutenzione, pulizia e diagnosi



Per motivi tecnici di sicurezza, per qualsiasi lavoro di manutenzione o pulizia staccare la spina dalla presa di corrente.

7.1 Lavori di controllo e manutenzione

La necessità di un lavoro di manutenzione dipende notevolmente dall'intensità di utilizzo e dal luogo di installazione della pompa. Per questo motivo i valori riportati sono soltanto indicativi.

Cosa	Particolare	Quando
Controllare che i collegamenti siano intatti	Spina	Settimanalmente
Controllare l'eventuale presenza di acqua di condensa nel tubo	Tubo del vuoto	Settimanalmente



Questo apparecchio è stato sviluppato espressamente per l'impiego in laboratorio odontotecnico.

Nel caso in cui l'apparecchio venga impiegato in un'impresa di produzione, per un impiego industriale o per un funzionamento continuato è necessario tenere in considerazione un precoce invecchiamento (logorio) dei componenti di usura.

Sono considerati componenti soggetti ad usura p.e.:

- silenziatore
- membrana
- piastra della valvola

Questi componenti soggetti ad usura sono esclusi dalla prestazione della garanzia.

Si prega di considerare anche gli intervalli di assistenza e manutenzione più brevi.

7.2 Pulizia

Rimuovere occasionalmente la polvere dalla pompa. Utilizzare a tal scopo per esempio un aspirapolvere ed un pennellino per pulizia.

Cosa	Quando	Con cosa
Carcassa	Secondo necessità	con un panno morbido ed asciutto
Silenziatore (4)	In caso di forte imbrattamento	sostituirlo

7.3 Avvertenze di manutenzione



La membrana può essere sostituita soltanto dal servizio assistenza Ivoclar Vivadent. Il fusibile può essere sostituito soltanto da personale qualificato.

Si prega di attenersi a tutte le prescrizioni di antiinfortunistica nonché a tutte le riconosciute regole di sicurezza tecnica e di medicina del lavoro. Il coperchio di collegamento può essere aperto soltanto dopo aver staccato l'apparecchio dalla corrente (interruzione dell'alimentazione di tensione) e soltanto da tecnici riparatori qualificati.

8. Cosa succede, se ...

8.1 Segnalazioni di errori

Descrizione dell'errore	Avvertenze per l'operatore	Provvedimenti
1 La pompa non funziona	<ul style="list-style-type: none">– La pompa è collegata correttamente?– I fusibili sono intatti?– Si è acceso l'interruttore di sicurezza termica a causa di sovrariscaldamento?– Silenziatore intasato	<ul style="list-style-type: none">– Collegare correttamente la pompa.– Far sostituire i fusibili da personale qualificato.– Lasciar raffreddare la pompa e riaccenderla nuovamente.– Controllare che nel luogo di installazione vi sia sufficiente areazione.– Se il problema non viene risolto, contattare il servizio assistenza.– Sostituire il silenziatore.
2 Potenza del vuoto stà peggiorando o è peggiorata	<ul style="list-style-type: none">– E' stato eseguito il programma di test della pompa?	<ul style="list-style-type: none">– Eseguire il programma di test della pompa (PX1).– Inviare la pompa per il vuoto al servizio assistenza per la manutenzione
3 Pompa per il vuoto eccessivamente rumorosa	<ul style="list-style-type: none">– Il silenziatore è difettoso e non montato correttamente?– Vi è una perdita nel sistema del forno o nella pompa?	<ul style="list-style-type: none">– Avvitare correttamente il silenziatore o se difettoso sostituirlo.– Controllare l'ermeticità degli allacciamenti e del tubo.– Pulire la guarnizione della cappa del forno.– Controllare la capacità di vuoto della pompa con il programma di test.

8.2 Riparazioni



Le riparazioni possono essere eseguite soltanto dal servizio assistenza Ivoclar Vivadent o tecnici qualificati. Si prega di rivolgersi quindi al servizio assistenza Ivoclar Vivadent.

9. Specifiche del prodotto

9.1 Presentazione

Pompa per il vuoto
istruzioni d'uso
certificato di garanzia



L'apparecchio è stato realizzato per l'impiego nel campo dentale e deve essere utilizzato secondo le istruzioni d'uso. Il produttore non si assume alcuna responsabilità per danni derivanti da diverso o inadeguato utilizzo. L'utente è tenuto a controllare personalmente l'idoneità del prodotto per gli impieghi da lui previsti soprattutto, se questi impieghi non sono riportati nelle istruzioni d'uso.

9.2 Dati tecnici

Allacciamento elettrico: 230 V / 50–60 Hz / 0.4 A
200 V / 50–60 Hz / 0.45 A
115 V / 50–60 Hz / 0.8 A

Oscillazioni di tensione ammesse: $\pm 10\%$

Assorbimento di potenza: 70 W

Potenza di aspirazione: 16 NL / min

Vuoto finale: inferiore a 40 mbar

Dimensioni: 210 x 140 x 130 mm
(lunghezza, larghezza, altezza)

Peso: 3,2 kg

Fusibili: 230 V = 1,25 AT 250 V
200 V = 1,25 AT 250 V
115 V = 2,0 AT 250 V

Avvertenze di sicurezza:

La pompa per il vuoto VP3 easy è costruita secondo le seguenti direttive:

- EN61010, Parte 1
- Testata EMV
- Grado di inquinamento 2
- Categoria di sovratensione II

9.3 Condizioni ammesse per il funzionamento

Campo di temperatura ambientale nel funzionamento:
+ 5 °C fino a + 40 °C (+41 °F fino a 104 °F)

Altitudine ammessa:
L'apparecchio è ammesso per altitudini fino
a 2000 m s.l.m.
Pressione atmosferica di 500 mbar fino a 1060 mbar.

9.4 Condizioni ammesse per il trasporto

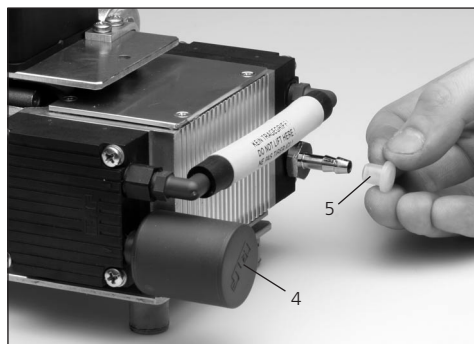
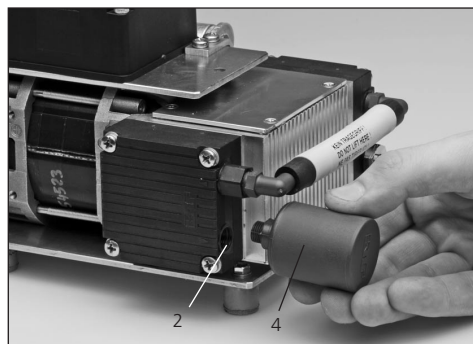
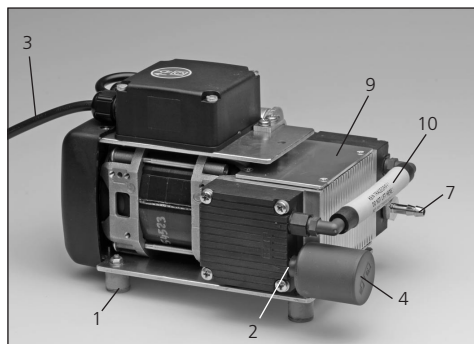
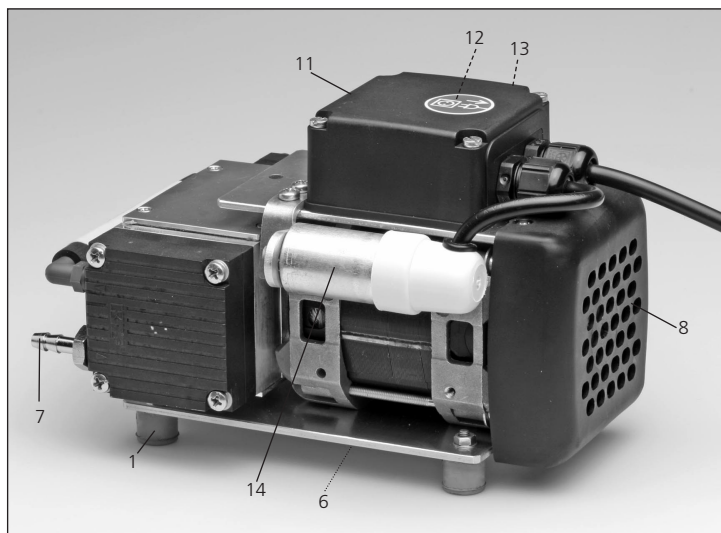
Campo di temperatura ambientale da
-20 °C fino a 55 °C (-4 °F fino a 131 °F)
Umidità relativa massima di 80%.

Bomba de vacío VP3 easy

	Página
Aparato, Despiece	44
1. Introducción y explicación de los símbolos	45
1.1 Prefacio	
1.2 Introducción	
1.3 Significado de los símbolos	
2. La seguridad ante todo	46
2.1 Utilización según las normas	
2.2 Notas sobre seguridad y riesgos	
3. Descripción del aparato	47
3.1 Componentes del aparato	
3.2 Funcionamiento	
3.3 Zonas de riesgo y dispositivos de seguridad	
4. Instalación	48
4.1 Desembalaje y comprobación del contenido	
4.2 Selección ubicación	
4.3 Conexión	
4.4 Montaje del silenciador	
5. Puesta en marcha	49
6. Manipulación	49
7. Mantenimiento, limpieza y diagnóstico	50
7.1 Trabajos de control y mantenimiento	
7.2 Trabajos de limpieza	
7.3 Notas sobre conservación	
8. ¿Qué sucede, sí ...?	51
8.1 Fallos técnicos	
8.2 Trabajos de reparación	
9. Especificación del producto	52
9.1 Suministro	
9.2 Datos técnicos	
9.3 Condiciones de funcionamiento	
9.4 Condiciones de transporte	

Despiece

- 1 Apoyos de goma
- 2 Conexión silenciador
- 3 Cable de red
- 4 Silenciador
- 5 Tapa protectora
- 6 Placa características
- 7 Conexión para el tubo de vacío
- 8 Ranuras de ventilación
- 9 Carcasa
- 10 Tubo de conexión
- 11 Tapa de la conexión
- 12 Portafusibles
- 13 Fusibles
- 14 Condensador



1. Introducción y explicación de los símbolos

1.1 Prefacio

Nos complace haya optado por la compra de la bomba de vacío Programat®. Este aparato es un producto de alta tecnología. Le rogamos lea atentamente las instrucciones de uso y ponga el aparato en funcionamiento según se describe en las mismas. En caso de duda, le rogamos se ponga en contacto con su Depósito o directamente con Vivodent.

1.2 Introducción

Aparato: Bomba de vacío VP3 easy
Usuarios: Laboratorios prótesis dental

Esta bomba de vacío es idónea para realizar el vacío de la cámara de cocción de los hornos de cerámica Programat. Se trata de una bomba de membrana con gran capacidad de vacío.

Las instrucciones de uso sirven para garantizar el adecuado aprovechamiento de la bomba VP3 easy. Las instrucciones de uso están divididas en diversos capítulos claramente estructurados. Esta división permite una rápida localización de los puntos deseados.

Para proporcionarle de forma rápida y clara información sobre riesgos, notas importantes y usos no permitidos, se han utilizado símbolos (pictogramas).

Le recomendamos conservar las instrucciones de uso en un lugar protegido, próximo al aparato, de forma que sea posible realizar una rápida consulta. En caso de pérdida, solicite unas nuevas instrucciones de uso a su Depósito.

1.3 Significado de los símbolos

Los símbolos que figuran en las instrucciones de uso, así como en el aparato le facilitan la localización de puntos importantes y le proporcionan la siguiente información:

En las instrucciones de uso:



Peligro con riesgo



Información



Uso no permitido

En el aparato:



Corriente alterna

2. La seguridad ante todo

Este capítulo deben leerlo todas aquellas personas que trabajen con el aparato bien para realizar trabajos de mantenimiento o reparaciones. Es imprescindible seguir las instrucciones dadas.

2.1 Utilización según las normas

La bomba se ha desarrollado especialmente para efectuar el vacío en los hornos de cerámica Programat. Le rogamos utilice este aparato exclusivamente para ese fin.

Otros usos no especificados se consideran fuera de la norma, por lo que el fabricante no se hace responsable de los daños que de ello resulte. El riesgo es exclusivo del usuario.

Entre la utilización según las normas se encuentran:

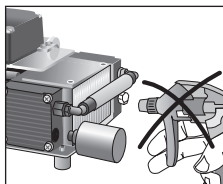
- La observación de las indicaciones y normas de las presentes instrucciones de uso
- El uso en las condiciones de funcionamiento y medio ambiente descritos (ver capítulo 9)
- El correcto mantenimiento del aparato

2.1.1



Riesgos y peligros

No introducir ningún objeto o líquido en las ranuras de ventilación, ya que podría provocar un bloqueo del motor o un cortocircuito.

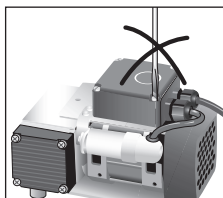


2.1.2



Riesgos y peligros

La tapa de conexión no debe abrirse por peligro de descarga eléctrica, mientras el aparato se encuentre conectado. La tapa de conexión sólo debe ser abierta por personal cualificado del Servicio Técnico.



La tapa de conexión, identificada por el distintivo que figura al pie, sólo debe abrirse por personal cualificado una vez desenchufado el cable de red (corte de corriente). Rogamos observe las normas, así como las demás reglas sobre seguridad técnica y sanidad laboral.



2.2 Indicaciones sobre seguridad y riesgos

- Tenga en cuenta que la bomba sólo debe usarse según la norma.
- Las bombas no deben usarse en ambientes con riesgo de explosión.
- Los componentes que deban conectarse a la bomba, deben coincidir con los datos que figuran en la bomba.
- Al conectar la bomba a la red, deben observarse las reglas de seguridad.
- Si debido a un sobrecalentamiento, el interruptor térmico detiene el funcionamiento de la bomba, ésta se conecta de nuevo automáticamente después de enfriar. Procure que ello no produzca situaciones de riesgo.
- Es necesario observar las normas de seguridad.
- Sólo deben utilizarse repuestos originales.
- La bomba responde a las directrices de seguridad de las normas de la UE sobre baja tensión 73/23 EWG y a las directrices de la EG sobre compatibilidad electromagnética 89/336 EWG.
- Si el aparato se almacena a baja temperatura o elevada humedad del aire es necesario dejar la bomba a temperatura ambiente para que se seque o se adapte a la temperatura aprox. 1 hora antes de su puesta en marcha (sin corriente).



No manipular líquidos sobre el aparato. Si a pesar de ello penetrara líquido en el aparato, desenchufar y consultar con el Servicio Técnico.

- El aparato ha sido probado en alturas de hasta 2000 m sobre el nivel del mar
- El aparato sólo debe utilizarse en interiores.

3. Descripción del producto



La interrupción del cable de toma de tierra dentro o fuera del aparato, o aflojar el mismo puede suponer un peligro para el usuario. No está permitida una interrupción.



No utilice ningún horno que no sea apto para este aparato. Solicite información al proveedor correspondiente. La bomba de vacío ha sido especialmente desarrollada para los hornos Programat.

3.1 Composición del aparato

La bomba de vacío VP3 easy está compuesta por:

- Bomba de vacío con cable de red
- Tubo de vacío (accesorio)

3.2 Descripción de funcionamiento

La membrana que se encuentra entre la cabeza del cilindro y la carcasa es accionada arriba y abajo por un pistón articulado. El vacío se origina por las válvulas de entrada y salida situadas en la cabeza del cilindro.

3.3 Puntos de riesgo y dispositivos de seguridad

Descripción de los puntos de riesgo:

Puntos de riesgo	Tipo de riesgo
Portafusibles	Descarga eléctrica
Ventilación	Lesión

Descripción de los dispositivos de seguridad:

Dispositivos de seguridad	Efecto protector
Cable toma de tierra	Protección ante descarga eléctrica
P20 (tipo de protección)	Protección ante descarga eléctrica
Interruptor termo-protector	Protege la bomba de sobrecargas
Tapa del ventilación	Protección ante descarga eléctrica

4. Instalación

4.1 Desembalaje y comprobación del contenido

Extraer el aparato del embalaje y comprobar posibles daños por transporte. Recomendamos conservar el embalaje para posibles envíos. Para su envío utilice sólo el embalaje original.



No transporte la bomba por el tubo de conexión (10) o por el condensador (14), o por el silenciador (4). Transporte la bomba con ambas manos por debajo del aparato.

4.2 Ubicación

Coloque el aparato con los apoyos de goma (1) sobre una superficie lisa. Evite exponer el aparato a los rayos solares directos. No coloque el aparato cerca de radiadores u otras fuentes de calor. Procurar que entre la pared y la rejilla de ventilación (8) haya suficiente espacio para la circulación de aire.

4.3 Conexión

Comprobar que la tensión que figura en la placa de características (6) coincida con la de su red. Si no fuera así, no conectar el aparato.

Conexión del tubo de vacío

Retirar la tapa protectora (5) de la conexión para el tubo de vacío (7) e introducir el tubo de vacío en la conexión (7). Conectar el otro extremo del tubo al horno. Controle que el tubo esté bien encajado.

Conexión a la red

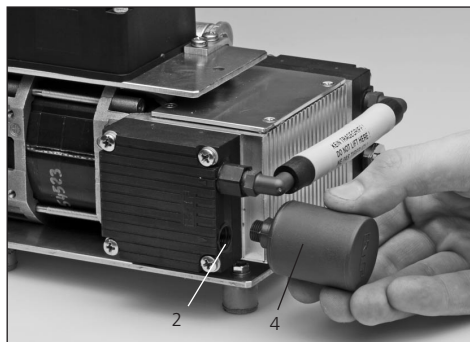
Introducir el cable de red (3) en el enchufe correspondiente del Programat. Al mismo tiempo es la conexión a red.



La instalación eléctrica de la habitación, donde se encuentre el aparato, debe responder a las normas IEC específicas del país.

4.4 Montaje del silenciador

Montar el silenciador antes de poner en marcha la bomba de vacío VP3 easy. Coloque el silenciador (4) en la conexión prevista para ello (2) (ver fotografía).



El silenciador se suministra desmontado, para evitar daños durante el transporte.

Silenciador para la bomba de vacío VP3 easy

– Silenciador **Tipo B** (pequeño) 551 718



5. Puesta en marcha

La bomba de vacío se controla desde el horno, una vez enchufado el cable de red de la bomba en el horno Programat.

6. Manipulación

Se realiza a través del programa del horno.

7. Mantenimiento, limpieza, diagnóstico



Por razones de seguridad, desconectar el enchufe para realizar ciertos trabajos de mantenimiento y reparación.

7.1 Control y trabajos de mantenimiento

Realizar un trabajo de mantenimiento depende en gran medida de la intensidad de uso y de la ubicación de la bomba. Por esta razón, las medidas dadas son sólo orientativas.

Control	Pieza	Frecuencia
Controle que esté bien enchufado	Enchufe	Semanalmente
Controle que el tubo no tenga agua de condensación	Tubo de vacío	Semanalmente



Este aparato ha sido desarrollado para su uso en el laboratorio dental

Si se utiliza el aparato en una empresa de producción o aplicación industrial, cabe esperar un envejecimiento prematuro de ciertas piezas.

Estas piezas son p.ej.:

- Silenciador
- Membrana
- Placa de la válvula

Estas piezas no están cubiertas por la garantía. Rogamos tengan en cuenta que los intervalos de reparación y mantenimiento se reducen.

7.2 Trabajos de limpieza

Limpiar el polvo de la bomba. Para ello utilice un aspirador con cepillo.

Pieza	Frecuencia	Medio de limpieza
Carcasa	según necesidad	Con un paño suave seco
Silenciador (4)	cuando esté muy sucio	cambiar

7.3 Notas sobre mantenimiento



El cambio de membrana sólo debe ser realizado por el Servicio Técnico Ivoclar Vivadent. El cambio de fusibles solo debe ser efectuado por personal especializado.

Tenga en cuenta las normas sobre prevención de accidentes, así como las conocidas normas de seguridad laboral. La tapa de la conexión, claramente identificada, sólo debe ser abierta por personal cualificado del Servicio Técnico, una vez desenchufado el aparato.

8. ¿Qué sucede, sí ...

8.1 Averías técnicas

Fallo	Indicaciones para el usuario	Solución
1 La bomba no funciona	<ul style="list-style-type: none">– ¿Está bien conectada la bomba?– ¿Están bien los fusibles?– ¿Ha funcionado el interruptor térmico debido a sobrecalentamiento?– Silenciador obturado	<ul style="list-style-type: none">– Conectar bien la bomba.– Cambio de fusibles por el Servicio Técnico.– Dejar que se enfríe la bomba y volver a conectar.– Comprobar que la bomba está colocada en lugar bien ventilado.– En caso de no poder solucionar el problema contactar con el Servicio Técnico.– Cambiar el silenciador.
2 El rendimiento de vacío se deteriora o no es correcto	<ul style="list-style-type: none">– ¿Se ha realizado el programa de test de vacío?	<ul style="list-style-type: none">– Ejecutar el programa de test de la bomba (PX1).– Enviar la bomba de vacío al Servicio Técnico para su mantenimiento
3 La bomba de vacío hace un excesivo ruido	<ul style="list-style-type: none">– ¿Está defectuoso el silenciador o mal montado?– ¿Hay alguna fuga en el horno o en la bomba?	<ul style="list-style-type: none">– Atornillar bien el silenciador, o en caso de estar defectuoso, cambiar.– Comprobar la estanqueidad de las conexiones y del tubo.– Limpiar la junta del cabezal del horno.– Comprobar el rendimiento de la bomba mediante el programa de test

8.2 Trabajos de reparación



Los trabajos de reparación sólo debe realizarlos personal del Servicio Técnico Ivoclar Vivadent. Le rogamos se ponga en contacto con el Departamento de atención al cliente.

9. Especificaciones del aparato

9.1 Suministro

Bomba de vacío
Instrucciones de uso
Tarjeta de garantía



El fabricante se reserva el derecho de realizar cambios técnicos. La bomba de vacío VP3 EASY ha sido fabricada para uso dental. Para su puesta an marcha y manipulación deben seguirse las Instrucciones de uso. El fabricante no se hace responsable de los daños ocasionados por otros usos o por una manipulación inadecuada. Además, antes de usar el aparato, el usuario está obligado a comprobar, bajo su propia responsabilidad, si el aparato es apto para los fines previstos, sobre todo si estos no figuran en las Instrucciones de uso.

9.2 Datos técnicos

Conexión a la red: 230 V / 50–60 Hz / 0.4 A
200 V / 50–60 Hz / 0.45 A
115 V / 50–60 Hz / 0.8 A

Oscilaciones de red permitidas: ±10%

Potencia absorbida: 70 W

Capacidad de aspiración: 16 NL / min

Vacío final: inferior a 40 mbar

Medidas: 220 x 140 x 130 mm
(largo, ancho, alto)

Peso: 3,2 kg

Temperatura ambiente en funcionamiento:
+5 °C a +40 °C (+ 41 °F a 104 °F)

Tipo de fusibles: 230 V = 1,25 AT 250 V
200 V = 1,25 AT 250 V
115 V = 2,0 AT 250 V

Nota sobre seguridad:

La bomba de vacío VP3 easy se ha fabricado según las siguientes directrices:

- EN 61010, Parte 1
- Comprobado según EMV
- Grado de ensuciamiento 2
- Clase de sobrevoltaje II

9.3 Condiciones de funcionamiento permitidas

Temperatura ambiente en funcionamiento:
+ 5 °C a + 40 °C (+ 41 °F a 104 °F)

Altura permitida:

El aparato está probado en alturas de hasta 2000 m.
Presión atmosférica de 500 mbar hasta 1600 mbar.

9.4 Condiciones de transporte permitidas

Temperatura ambiente de:
–20 °C hasta +55 °C (–4 °F hasta 131 °F).
Máxima humedad relativa de 80%.

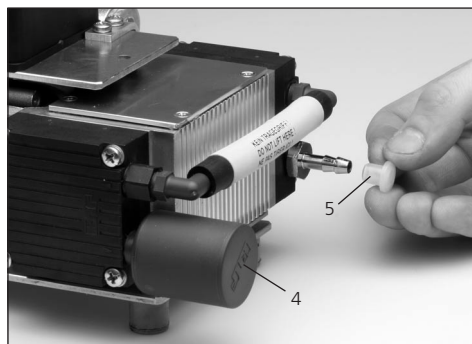
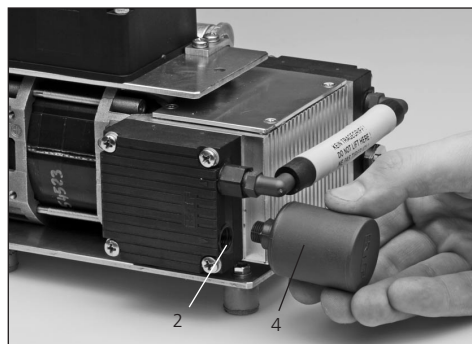
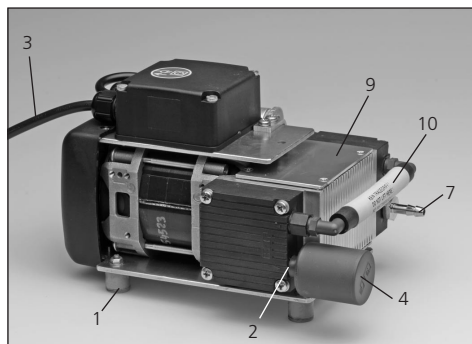
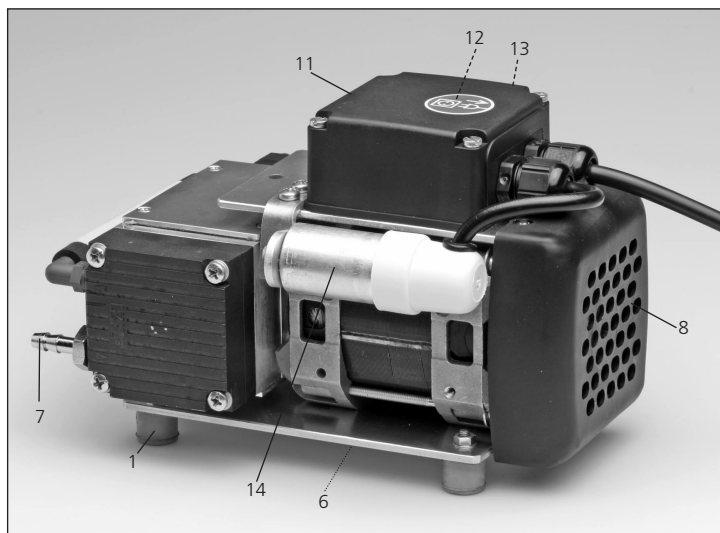
Vaccum Pump VP3 easy

Página

Lista de partes	54
1. Introdução / Sinais e Símbolos	55
1.1 Prefácio	
1.2 Introdução	
1.3 Sinais e símbolos	
2. Segurança em primeiro lugar	56
2.1 Indicações	
2.2 Saúde e instruções de segurança	
3. Descrição do produto	57
3.1 Componentes	
3.2 Descrição funcional	
3.3 Áreas de risco e equipamento de segurança	
4. Instalação	58
4.1 Desembalando e conferindo o conteúdo	
4.2 Selecionando o local	
4.3 Efetuando as conexões	
4.4 Montando o amortecedor de ruídos	
5. Início de operação	59
6. Operação	59
7. Manutenção, Limpeza e Diagnóstico	60
7.1 Monitoramento e manutenção	
7.2 Limpeza	
7.3 Notas sobre manutenção	
8. E se ...	61
8.1 Funcionamentos técnicos incorretos	
8.2 Reparos	
9. Especificações do produto	62
9.1 Forma de apresentação	
9.2 Dados técnicos	
9.3 Condições aceitáveis de operação	
9.4 Condições aceitáveis de transporte	

Lista de Partes

- 1 Pés de borracha
- 2 Conexão do amortecedor de ruídos
- 3 Cabo de força
- 4 Amortecedor de ruídos
- 5 Tampa de proteção
- 6 Placa de classificação
- 7 Conexão da mangueira do vácuo
- 8 Aberturas de ar
- 9 Carcaça
- 10 Tubo de conexão
- 11 Cobertura das conexões
- 12 Porta-fusível
- 13 Fusível
- 14 Condensador



1. Introdução / Sinais e Símbolos

1.1 Prefácio

Prezado usuário

Obrigado por ter adquirido a Bomba de Vácuo Programat®. É um aparelho de alta qualidade técnica. Por favor, leia, de modo cuidadoso, e siga estas Instruções Operacionais. Caso necessite qualquer outra informação, entre em contato com o seu representante local ou procure a Ivoclar Vivadent diretamente.

1.2 Introdução

Aparelho: Bomba de vácuo VP3 easy
Grupo designado: Técnicos em prótese dental

A bomba de vácuo é adequada para o esvaziamento da câmara de queima dos fornos cerâmicos Programat. É uma bomba de vácuo silenciosa, com diafragma duplo, que apresenta alta performance de vácuo.

Estas Instruções Operacionais foram projetadas para assegurar o seguro, correto e econômico uso da Bomba de Vácuo VP3 easy. Elas estão divididas em vários e estruturados Capítulos para possibilitar que tópicos específicos sejam encontrados, de modo fácil e rápido.

Os sinais e símbolos (pictográficos) são usados para informar os riscos de saúde, detalhes importantes e contra-indicações.

É recomendado manter estas Instruções Operacionais em lugar seguro, perto da bomba, para manter fácil acesso às informações necessárias. Caso você venha a perder estas Instruções, cópias extras podem ser solicitadas, livres de taxa, para o representante local da Ivoclar Vivadent.

1.3 Sinais e símbolos

Os sinais e símbolos, encontrados nas Instruções Operacionais e na bomba de vácuo, facilitam a identificação dos pontos mais importantes e possuem os seguintes significados:



Instruções Operacionais:

Riscos e perigos



Informação



Contra-indicação

Bomba de vácuo:



Corrente alternada

2. Segurança em primeiro lugar

Este Capítulo é particularmente importante para o pessoal que trabalha com a Bomba de Vácuo VP3 easy e que realiza manutenção ou reparo da bomba. Este Capítulo deve ser lido e as respectivas instruções devem ser seguidas.

2.1 Indicações

Esta bomba de vácuo foi especialmente desenvolvida para promover vácuo na câmara de queima dos fornos cerâmicos Programat e dos fornos de injeção IPS Empresa da Ivoclar Vivadent e deve ser usada somente para estes propósitos.

Outros quaisquer usos são contra-indicados. O fabricante não assume qualquer responsabilidade pelos danos causados por estes abusos. O usuário é o único responsável por riscos que decorram da falta de observação destas Instruções.

Normas para assegurar o adequado uso da bomba:

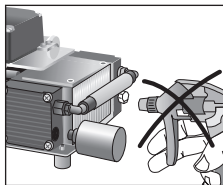
- Instruções, notas e regulamentos, contidos nestas Instruções Operacionais, devem ser observados.
- A bomba deve ser utilizada dentro das condições ambientais e operacionais indicadas (Capítulo 9).
- A VP3 easy deve receber apropriada manutenção.

2.1.1



Riscos e perigos

Objetos estranhos ou líquidos não devem entrar nas aberturas de ar, porque podem bloquear o motor ou podem causar choque elétrico.

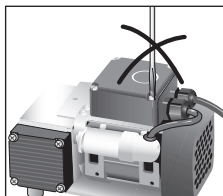


2.1.2



Riscos e perigos


A cobertura das conexões não deve ser aberta enquanto a bomba está conectada no soquete de força, já que existe risco de choque elétrico. A cobertura das conexões deve ser aberta apenas por pessoal de um qualificado "Service Center" da Ivoclar Vivadent.



A cobertura de conexões, que está marcada com a etiqueta mostrada abaixo, somente pode ser aberta quando a força está desligada (interrupção do suprimento de força) e por pessoal de serviço qualificado. Por favor, observar regras e regulamentos, assim como, outras reconhecidas normas médicas e de segurança.



2.2 Saúde e instruções de segurança

- Usar a bomba somente para as indicações estipuladas nestas Instruções Operacionais.
 - Não usar a bomba em áreas com risco de explosão.
 - Os componentes, a serem conectados na bomba, devem cumprir os dados pneumáticos exigidos pela bomba.
 - Observar os correspondentes regulamentos de segurança, quando ligar a bomba com a rede eletrônica.
 - Se a operação da bomba é interrompida pela ocorrência de superaquecimento, o reinício é automático, tão logo ela seja esfriada. Verificar os danos que podem resultar da continuada repetição deste fato.
 - Observar as correspondentes instruções de segurança para o uso normal de rotina.
 - Usar somente partes originais de reposição.
 - A bomba cumpre as seguintes especificações de segurança das diretrizes da CE:
 - 73/23 EEC (diretriz de baixa voltagem)
 - 89/336/EEC (compatibilidade eletromagnética)
 - Quando mantida sob temperatura muito baixa e umidade relativa alta, a bomba deve ser seca ou deixada para ajuste na temperatura ambiente, durante aprox. 1 hora (não ligar a força neste período).
-  Não trabalhar com líquidos perto da bomba. Se, acidentalmente, um líquido entrar na bomba, desligar a força e consultar o serviço técnico. Enquanto isto, não trabalhar com a bomba.
- A bomba pode ser operada em altitudes de até 2000 m, acima do nível do mar.
 - A bomba somente deve ser usada em locais fechados.

3. Descrição do Produto



Qualquer rompimento do condutor de proteção (interno ou externo) ou afrouxamento da conexão do condutor de proteção pode constituir perigo para o usuário, nos casos de mau funcionamento. Interrupções deliberadas não são toleradas.



Não usar fornos de outros fabricantes, que não são coordenados com a bomba. Procurar conhecer os detalhes com os respectivos fabricantes. A bomba de vácuo foi especialmente desenvolvida para ser empregada com os fornos cerâmicos Programat e deve ser usada somente para estes propósitos.



Descarte:

O forno não deve ser descartado junto com o lixo doméstico comum. Por favor, descartar os fornos velhos de modo correto, conforme a Diretriz Europeia WEEE (Waste Electrical and Electronic Equipment).

3.1 Componentes

A Bomba de Vácuo VP3 easy é constituída pelos seguintes componentes:

- Bomba de vácuo, com cabo de força.
- Mangueira de vácuo (acessório).

3.2 Descrição funcional

O diafragma, posicionado entre a cabeça do cilindro e a carcaça, é movimentado para cima e para baixo, à custa de uma biela. O vácuo é produzido na cabeça do cilindro por meio das válvulas de torque, que promovem a sucção e a extração.

3.3 Áreas de risco e equipamento de segurança

Descrição das áreas de risco da bomba:

Áreas de risco	Tipo de risco
Porta-fusível	Choque elétrico
Ventilador	Ferimento

Descrição das características de segurança da bomba:

Equipamento de segurança	Efeito protetor
Condutor de proteção	Proteção contra choque elétrico
P20 (tipo proteção)	Proteção contra choque elétrico
Termostato	Proteção contra superaquecimento
Tampa do ventilador	Proteção contra choque elétrico e ferimento

4. Instalação

4.1 Desembalando e conferindo o conteúdo

Remover a bomba da embalagem e verificar possíveis danos de transporte. É recomendado guardar a embalagem original para futuros propósitos de transporte. Empregar somente a embalagem original para o transporte da bomba de vácuo.



Não deslocar a bomba à custa do tubo de conexão (10), do condensador (14) ou do amortecedor de ruídos (4). Suportar a base da bomba, com as duas mãos, quando realizar o transporte.

4.2 Selecionando o local

Colocar a bomba sobre uma superfície plana, apoiada com os pés de borracha (1). A bomba não deve ficar exposta à luz solar direta. Nunca posicionar a bomba nas vizinhanças de aquecedores ou de outras fontes de calor. Verificar se há espaço suficiente para a circulação do ar entre a parede e as aberturas de ar (8).

4.3 Efetuando as conexões

Checando a placa de classificação e o suprimento de força
Verificar se a voltagem, indicada na placa de classificação (6), está de acordo com a voltagem do suprimento de força local. Caso isto não ocorra, a bomba não deve ser ligada.

Conectando a mangueira de vácuo

Remover a tampa de proteção (5) da conexão da mangueira de vácuo (7) e ligar a mangueira de vácuo nesta conexão (7). A outra extremidade da mangueira de vácuo deve ser ligada ao forno cerâmico.

Por favor, verificar se a mangueira de vácuo está conectada, de modo correto e apropriado.

Ligando a força

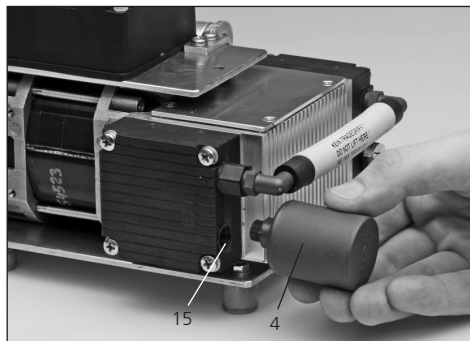
Colocar o plugue de força do cabo de força (3) no respectivo soquete do forno Programat. Este é, ao mesmo tempo, o suprimento de força.



A instalação elétrica do ambiente de trabalho, onde a bomba está sendo usada, deve cumprir as exigências locais e as normas do IEC.

4.4 Montando o amortecedor de ruídos

O amortecedor de ruídos deve ser montado antes de iniciar a operação com a Bomba de Vácuo VP3 easy. Posicionar o amortecedor de ruídos (4) na conexão do amortecedor de ruídos (2) (ver figura abaixo).



O amortecedor de ruídos é fornecido desmontado, para evitar danos durante o transporte.

Amortecedor de ruídos para a Bomba de Vácuo VP3 easy

- Amortecedor de ruídos **Tipo B** (pequeno) **551718**



5. Início de operação

A bomba de vácuo é controlada, de modo automático, pelo forno cerâmico, desde que o cabo de força da bomba de vácuo esteja conectado com o forno Programat.

6. Operação

A bomba de vácuo é operada pelos programas do forno.

7. Monitoramento e Manutenção



Por razões de segurança, desligar o plugue de força, antes de efetuar manutenção e limpeza.

7.1 Monitoramento e manutenção

Entretanto, a periodicidade da manutenção depende da frequência do uso e da localização da bomba. Assim, os tempos recomendados, e indicados abaixo, são somente aproximados.

O quê	Parte	Quando
Verificar o ajuste de todas as conexões.	Conexões	Semanalmente
Verificar a mangueira para checar o acúmulo de água de condensação no sistema.	Mangueira de vácuo	Semanalmente



Este aparelho foi desenvolvido para típico uso em laboratório de prótese dental.

Se este produto for utilizado para aplicações industriais ou empregado em operação contínua, pode acontecer o desgaste prematuro das partes sobressalentes.

Estas partes sobressalentes são, p.ex.:

- Amortecedor de ruídos.
- Diafragma.
- Válvulas de torque.

Estas partes sobressalentes não são cobertas pela garantia. Por favor, observar curtos intervalos para monitoramento e manutenção.

7.2 Limpeza

Periodicamente, eliminar a sujeira da bomba. Para tal propósito, usar aspirador de pó e uma escova limpa.

Item	Frequência	Material de limpeza
Carcaça	Quando necessário	Pano suave e seco.
Amortecedor de ruídos (4)	Quando está sujo	O amortecedor de ruídos deve ser substituído.

7.3 Notas sobre manutenção



O diafragma somente pode ser substituído por um "Service Center" da Ivoclar Vivadent. O fusível deve ser trocado por pessoal qualificado.

Por favor, observar as regras e regulamentos para a prevenção de acidentes, bem como as normas médicas e de segurança. A cobertura das conexões, marcada com a etiqueta mostrada abaixo, somente pode ser aberta por pessoal qualificado, depois da força ter sido desligada.

8. E se ... ?

8.1 Funcionamentos técnicos incorretos

Descrição	Confirmação	Ação
1 A bomba não funciona.	<ul style="list-style-type: none">- A bomba está corretamente conectada ?- Os fusíveis estão OK?- O termostato foi ativado por que ocorreu superaquecimento ?- O amortecedor de ruídos está entupido	<ul style="list-style-type: none">- Conectar a bomba corretamente.- Troca de fusíveis por pessoal qualificado.- Deixar a bomba esfriar e iniciar novamente.- Posicionar a bomba para adequada circulação de ar.- Se o problema não foi resolvido, contatar o "Service Center" local da Ivoclar Vivadent.- Substituir o amortecedor de ruídos.
2 A performance de vácuo diminuiu ou é muito pobre	<ul style="list-style-type: none">- Foi realizado o programa de teste da bomba ?	<ul style="list-style-type: none">- Efetuar o programa de teste para a bomba (PX1).- Enviar a bomba de vácuo para manutenção no " Service Center" .
3 A bomba de vácuo não é normalmente silenciosa	<ul style="list-style-type: none">- O amortecedor de ruídos está com defeito ou está montado de modo incorreto ?- Existe vazamento no sistema do forno ou na bomba ?	<ul style="list-style-type: none">- Conectar corretamente o amortecedor de ruídos ou, se necessário, efetuar a sua substituição.- Verificar o ajuste das conexões e da mangueira.- Limpar a vedação da cabeça do forno.- Verificar a performance da bomba, com o respectivo programa de teste.

8.2 Reparos



Os reparos somente devem ser realizados por pessoal de um qualificado "Service Center" da Ivoclar Vivadent. Por favor, contatar o seu representante local.

9. Especificações do produto

9.1 Forma de apresentação

- Bomba de vácuo.
- Instruções Operacionais.
- Cartão de garantia.

9.2 Dados técnicos

Suprimento de força:	230 V / 50–60 Hz / 0.4 A 200 V / 50–60 Hz / 0.45 A 115 V / 50–60 Hz / 0.8 A
Flutuações toleradas de voltagem:	+/- 10%
Consumo de força:	70 W
Intensidade de sucção:	16 NL / min.
Vácuo final:	abaixo de 40 mbar
Dimensões:	210 x 140 x 130 mm (comprimento, largura, altura)
Peso:	3.2 kg
Tipos de fusíveis:	230 V: 1.25 AT 250 V 200 V: 1.25 AT 250 V 115 V: 2.0 AT 250 V

Informação de segurança:

A bomba de vácuo VP3 easy cumpre as seguintes normas:

- EN 61010, Teil 1.
- Teste EMV.
- Nível de poluição 2.
- Excesso de voltagem classe II

9.3 Condições aceitáveis de operação

Faixa de temperatura ambiente de:
+5 °C a +40 °C (+41 °F a +104 °F)

Altura de uso aceitável:

A bomba é testada para o uso em altitudes de até 2000 m, acima do nível do mar. Pressão ambiente de 500 mbar até 1060 mbar.

9.4 Condições aceitáveis de transporte

Temperatura ambiente de:
-20 °C a +55 °C (-4 °F a +131 °F)

Umidade relativa máxima: 80%



Este aparelho foi desenvolvido somente para uso dental. Montagem e operação devem ser conduzidas de acordo com estas Instruções Operacionais. O fabricante não é responsável pelos danos causados por outros usos ou por manipulação incorreta. Além disto, o usuário está obrigado a comprovar, antes do uso e sob sua responsabilidade, se o aparelho é compatível com a utilização desejada, principalmente quando esta utilização não está indicada nestas Instruções. Descrições e dados não constituem nenhum tipo de garantia e, por isto, não possuem qualquer vinculação.

Ivoclar Vivadent – worldwide

Ivoclar Vivadent AG

Bendererstrasse 2
FL-9494 Schaan
Liechtenstein
Tel. +423 235 35 35
Fax +423 235 33 60
www.ivoclarvivadent.com

Ivoclar Vivadent Pty. Ltd.

1 – 5 Overseas Drive
P.O. Box 367
Noble Park, Vic. 3174
Australia
Tel. +61 3 979 595 99
Fax +61 3 979 596 45
www.ivoclarvivadent.com.au

Ivoclar Vivadent GmbH

Bremschlr. 16
Postfach 223
A-6706 Bürs
Austria
Tel. +43 5552 624 49
Fax +43 5552 675 15
www.ivoclarvivadent.com

Ivoclar Vivadent Ltda.

Rua Maestro João Gomes de
Araújo 50; Salas 92/94
Sao Paulo, CEP 02332-020
Brazil
Tel. +55 11 69 59 89 77
Fax +55 11 69 71 17 50
www.ivoclarvivadent.com

Ivoclar Vivadent Inc.

2785 Skymark Avenue, Unit 1
Mississauga
Ontario L4W 4Y3
Canada
Tel. +1 905 238 57 00
Fax +1 905 238 5711
www.ivoclarvivadent.us.com

Ivoclar Vivadent Marketing Ltd.

Rm 603 Kuen Yang
International Business Plaza
No. 798 Zhao Jia Bang Road
Shanghai 200030
China
Tel. +86 21 5456 0776
Fax. +86 21 6445 1561
www.ivoclarvivadent.com

Ivoclar Vivadent Marketing Ltd.

Calle 134 No. 13-83, Of. 520
Bogotá
Colombia
Tel. +57 1 627 33 99
Fax +57 1 633 16 63
www.ivoclarvivadent.com

Ivoclar Vivadent SAS

B.P. 118
F-74410 Saint-Jorioz
France
Tel. +33 450 88 64 00
Fax +33 450 68 91 52
www.ivoclarvivadent.fr

Ivoclar Vivadent GmbH

Dr. Adolf-Schneider-Str. 2
D-73479 Ellwangen, Jagst
Germany
Tel. +49 (0) 79 61 / 8 89-0
Fax +49 (0) 79 61 / 63 26
www.ivoclarvivadent.de

Ivoclar Vivadent Marketing Ltd

114, Janki Centre
Shah Industrial Estate
Veera Desai Road,
Andheri (West)
Mumbai 400 053
India
Tel. +91 (22) 673 0302
Fax. +91 (22) 673 0301
www.ivoclarvivadent.firm.in

Ivoclar Vivadent s.r.l.

Via dell'Industria 16
I-39025 Naturno (BZ)
Italy
Tel. +39 0473 67 01 11
Fax +39 0473 66 77 80
www.ivoclarvivadent.it

Ivoclar Vivadent S.A. de C.V.

Av. Mazatlán No. 61, Piso 2
Col. Condesa
06170 México, D.F.
Mexico
Tel. +52 (55) 5062-1000
Fax +52 (55) 5553 1426
www.ivoclarvivadent.com.mx

Ivoclar Vivadent Ltd

12 Omega St, Albany
PO Box 5243 Wellesley St
Auckland, New Zealand
Tel. +64 9 914 9999
Fax +64 9 630 61 48
www.ivoclarvivadent.co.nz

Ivoclar Vivadent

Polska Sp. z o.o.
ul. Jana Pawla II 78
PL-01-501 Warszawa
Poland
Tel. +48 22 635 54 96
Fax +48 22 635 54 69
www.ivoclarvivadent.pl

Ivoclar Vivadent S.A.

c/Emilio Muñoz, 15
Esquina c/Albarracín
E-28037 Madrid
Spain
Tel. + 34 91 375 78 20
Fax + 34 91 375 78 38
www.ivoclarvivadent.com

Ivoclar Vivadent AB

Dalvägen 14
S-169 56 Solna
Sweden
Tel. +46 8 514 93 943
Fax +46 8 514 93 940
www.ivoclarvivadent.se

Ivoclar Vivadent UK Limited

Ground Floor Compass
Building
Feldspar Close
Warrens Business Park
Enderby
Leicester LE19 4SE
United Kingdom
Tel. +44 116 284 78 80
Fax +44 116 284 78 81
www.ivoclarvivadent.co.uk

Ivoclar Vivadent, Inc.

175 Pineview Drive
Amherst, N.Y. 14228
USA
Tel. +1 800 533 6825
Fax +1 716 691 2285
www.ivoclarvivadent.us.com

Version: 1

Date information prepared:
10/2005

Printed in Liechtenstein

© Ivoclar Vivadent AG,
FL-9494 Schaan
595779/1005/H


**ivoclar
vivadent**
technical